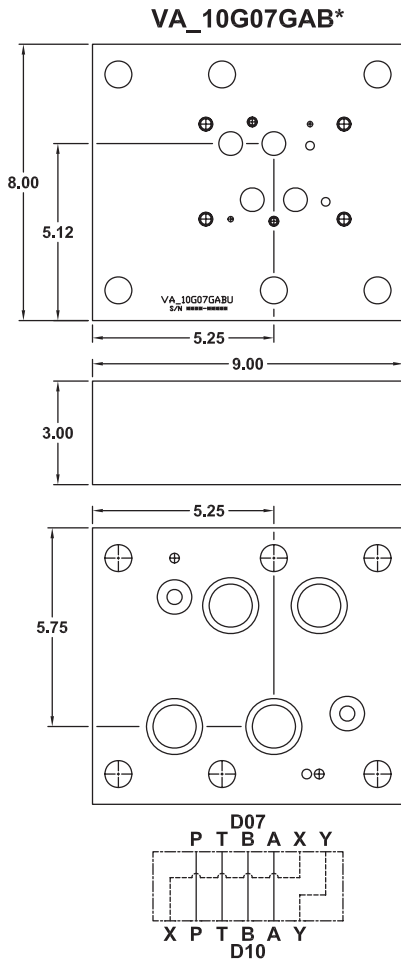
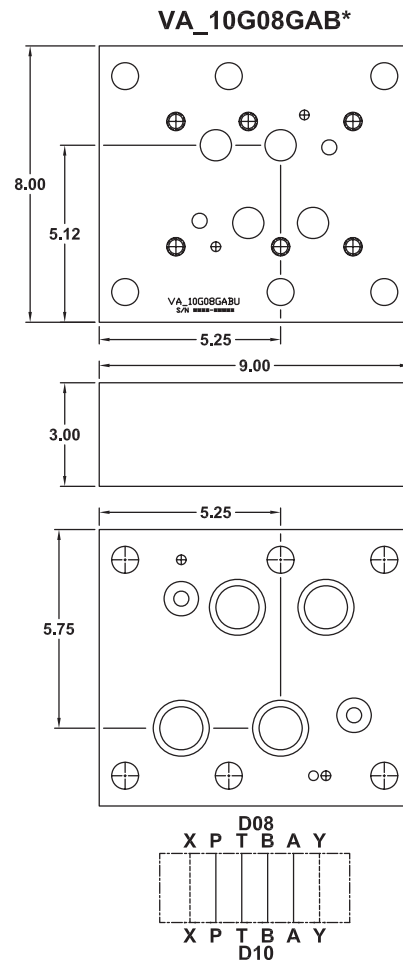


D10 to D07 - Valve Adapters - D10 to D08

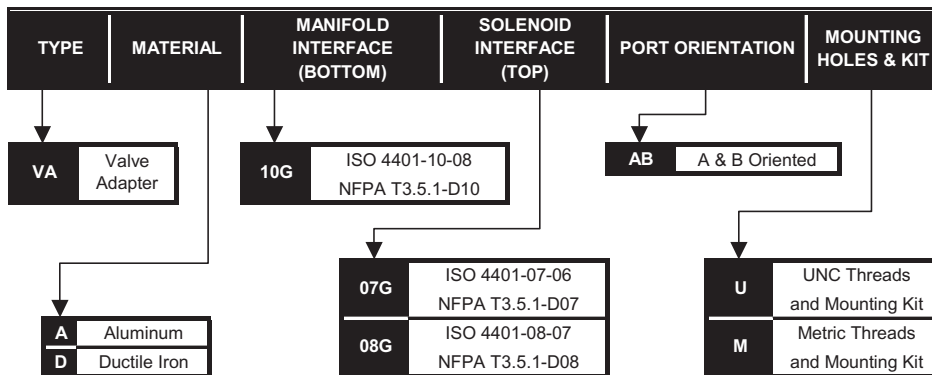


- | | |
|-----------------------------------|--------------------------------------|
| UNC mounting kit includes: | Metric mounting kit includes: |
| 6 - 3/4"-10 x 4.50" SHCS | 6 - M20 x 2.5 x 110mm SHCS |
| 4 - 220 O-ring viton | 4 - 220 O-ring viton |
| 2 - 210 O-ring viton | 2 - 210 O-ring viton |
| 2 - pin | 2 - pin |



- | | |
|-----------------------------------|--------------------------------------|
| UNC mounting kit includes: | Metric mounting kit includes: |
| 6 - 3/4"-10 x 4.50" SHCS | 6 - M20 x 2.5 x 110mm SHCS |
| 4 - 220 O-ring viton | 4 - 220 O-ring viton |
| 2 - 210 O-ring viton | 2 - 210 O-ring viton |
| 2 - pin | 2 - pin |

PART NUMBER SYSTEM



WE RESERVE THE RIGHT TO DISCONTINUE MODELS, OR CHANGE SPECIFICATIONS WITHOUT NOTICE OR INCURRING OBLIGATION

Lynch Products Can Be Modified to Suit Your Application

Phone: 1 (888) 626-4365 or +1 (905) 363-2400 Fax: 1 (800) 263-5807 www.lynch.ca sales@lynch.ca