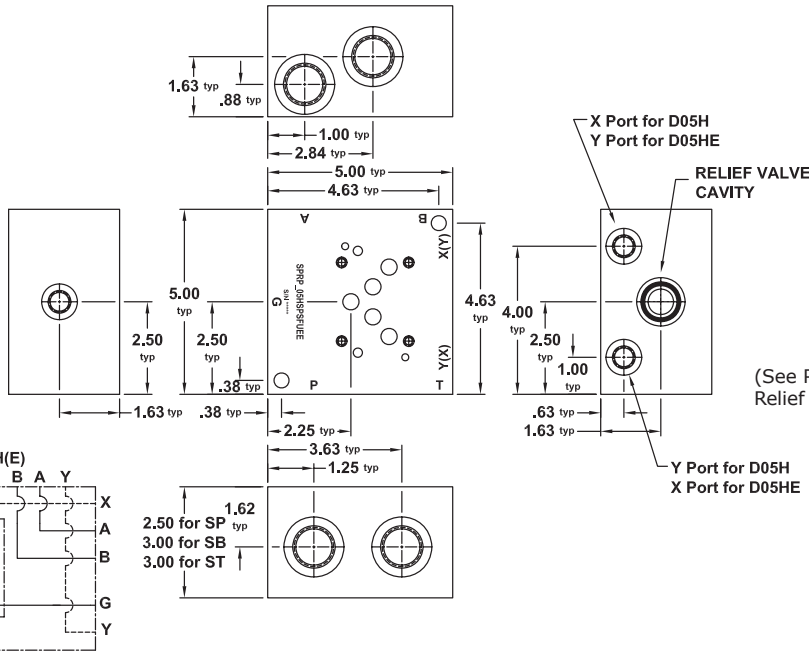


## D05H(E) High Flow Subplate w/Relief - Nominal 3/4"

SPRP\_05\_SPSFUEE



Mounting Kits Include the following:

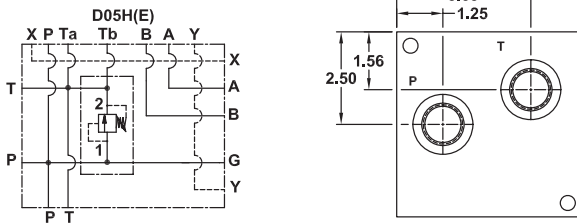
"SP" UNC Kit:  
2 - 3/8"-16 x 3.00" SHCS  
"SP" Metric Kit:  
2 - M10-1.5 x 75 mm SHCS

"SB" UNC Kit:  
2 - 3/8"-16 x 3.50" SHCS  
2 - plugs  
"SB" Metric Kit:  
2 - M10-1.5 x 90 mm SHCS  
2 - plugs

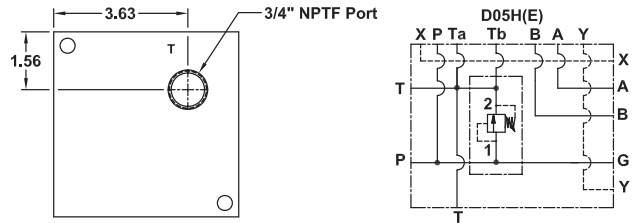
"ST" UNC Kit:  
2 - 3/8"-16 x 3.50" SHCS  
"ST" Metric Kit:  
2 - M10-1.5 x 90 mm SHCS

(See Page 5.99.01 for Relief Cartridges)

SPRP\_05\_SBSFUEE - BOTTOM VIEW



SPRP\_05\_STSFUEE - BOTTOM VIEW



### PART NUMBER SYSTEM

Aluminum D05H Side Ported Subplate with SAE 12 Ports & T-3A Relief Example: SPRPA05HSPSFUEE

TYPE	MATERIAL	VALVE PATTERN	PORTING STYLE	PORT CODE	MOUNTING THREADS & KIT	RELIEF CAVITY AND PILOT PORT OPTIONS												
SPRP	Subplates with P to T Relief		SB Side Ported with Bottom P & T Ports SP Side Ported only ST Side Ported with 3/4" NPTF "T" Port on Bottom only	U UNC Std for SAE & NPT M Metric Std for BSP* & Metric	<table border="1"> <tr> <td>D05 Valve</td> <td>1/4"-20 UNC x 0.75" dp</td> </tr> <tr> <td>Subplate</td> <td>3/8"-16 SHCS</td> </tr> <tr> <td>D05 Valve</td> <td>M6 x 1.00 x .75" dp</td> </tr> <tr> <td>Subplate</td> <td>M10 x 1.50 SHCS</td> </tr> </table>	D05 Valve	1/4"-20 UNC x 0.75" dp	Subplate	3/8"-16 SHCS	D05 Valve	M6 x 1.00 x .75" dp	Subplate	M10 x 1.50 SHCS	<table border="1"> <tr> <td>DE</td> <td>Common C10-2</td> </tr> <tr> <td>EE</td> <td>Sun T-3A</td> </tr> </table>	DE	Common C10-2	EE	Sun T-3A
	D05 Valve	1/4"-20 UNC x 0.75" dp																
Subplate	3/8"-16 SHCS																	
D05 Valve	M6 x 1.00 x .75" dp																	
Subplate	M10 x 1.50 SHCS																	
DE	Common C10-2																	
EE	Sun T-3A																	
A	Aluminum																	
D	Ductile Iron																	
05H	(USA Standard)																	
	NFPA T3.5.1-D05 Alt B																	
05E	ISO 4401-05-05 (EURO)																	
	NFPA T3.5.1-D05 Alt A																	
SF	SAE	12	6	6														
NF	NPTF	3/4"	1/4"	1/4"														
BF	BSPP	3/4"	1/4"	1/4"														
TF	BSPT	3/4"	1/4"	1/4"														
MF	METRIC	M27	M10	M10														

NOTE: As a Non-Standard Option, Subplates with no Pilot Ports can be ordered by using "05T" for Valve Pattern Code and replacing the "E" at the end of the Part Number with an "A". An Example Part Number would be: SPRPA05TSPSFUEA

WE RESERVE THE RIGHT TO DISCONTINUE MODELS, OR CHANGE SPECIFICATIONS WITHOUT NOTICE OR INCURRING OBLIGATION

Lynch Products Can Be Modified to Suit Your Application