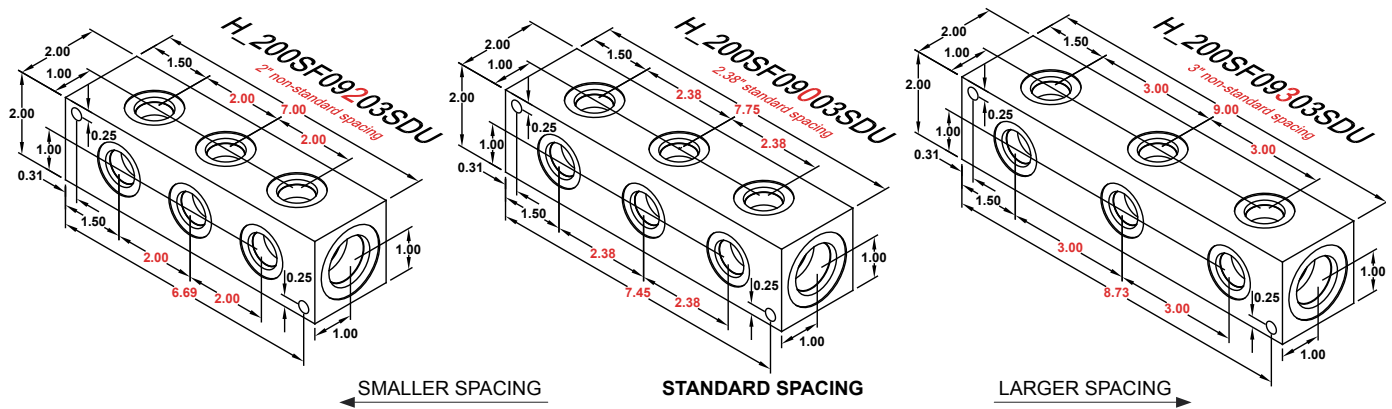


Non Standard Options & Ordering Information

Combinations may be subject to a minimum quantity or set-up charge.

How To Special Order Non-Standard Port Spacing (Dimension E)

- 1- Only whole inch values can be ordered, minimum spacing is limited by the port sizes.
 - 2- Modify the third character in port orientation code with a value from 1-9.
 - ie: 000 becomes 002 for 0 degree with 2" special spacing.
 - ie: 180 becomes 184 for 180 degree with 4" special spacing.
- See complete examples below.



Note: All effected dimensions are shown above, in red.

BSPP Port Code Cross Reference

Replace the NPTF Code in the corresponding locations for either end port or side port.

Note: All BSPP configurations may not be possible, please consult the factory to confirm your part number.

CODE	TYPE
BA	1/8" BSPP
BB	1/4" BSPP
BC	3/8" BSPP
BD	1/2" BSPP
BF	3/4" BSPP
BH	1" BSPP
BI	1 1/4" BSPP
BJ	1 1/2" BSPP
BK	2" BSPP

Non Standard Part Number Examples

- Ex:** HA175NC09005NBU - Standard NPTF Header
 HA175BC09005BBU - BSPP Header Version with 3/8" BSPP End Ports and 1/4" BSPP Side Ports
- Ex:** JF150XX18010NAU - Standard NPTF Junction
 JF150XX18010BAU - BSPP Junction Version with 1/8" BSPP Side Ports
- Ex:** HD300NI00008NAU - Non-Standard NPTF Header
 HD300BI00008BHU - BSPP Header Version with 1 1/4" BSPP End Ports and 1" BSPP Side Ports

WE RESERVE THE RIGHT TO DISCONTINUE MODELS, OR CHANGE SPECIFICATIONS WITHOUT NOTICE OR INCURRING OBLIGATION

Lynch Products Can Be Modified to Suit Your Application

Phone: 1 (888) 626-4365 or +1 (905) 363-2400 Fax: 1 (800) 263-5807 www.lynch.ca sales@lynch.ca