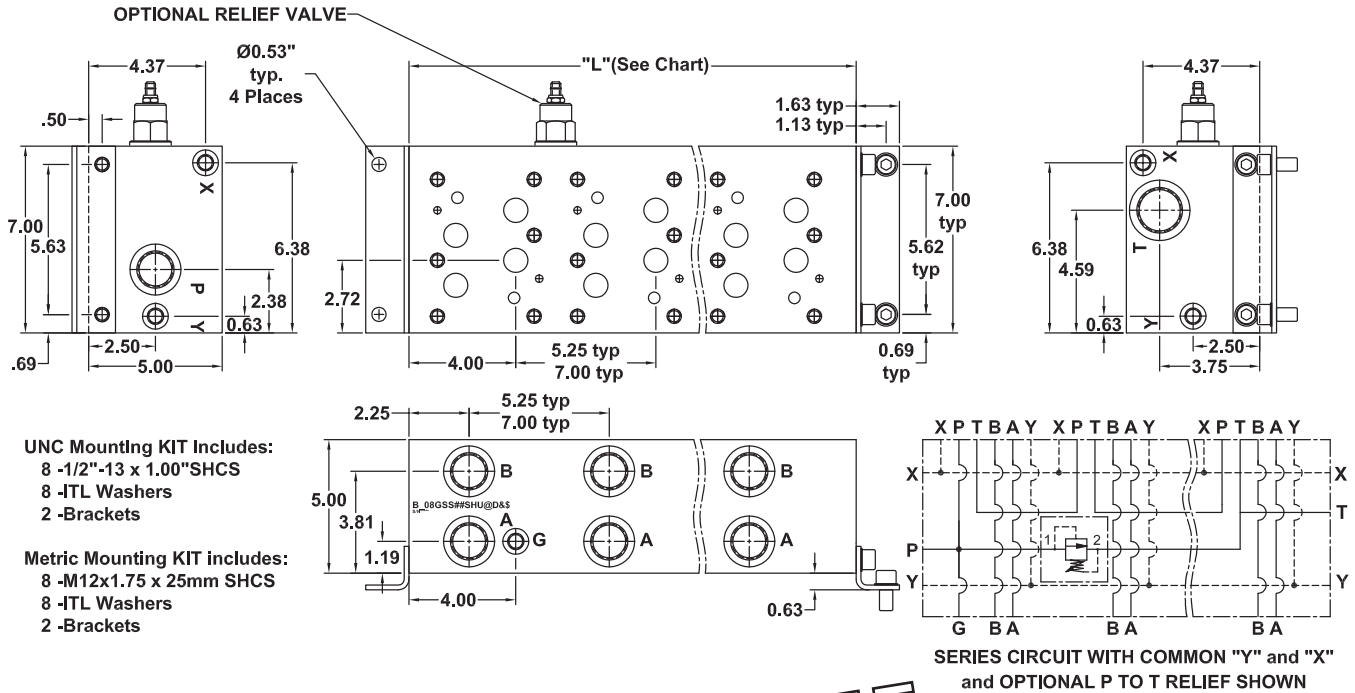


## D08 Standard Flow Series Circuit Manifold

(See Page 1.99.01 for Relief Cartridges)



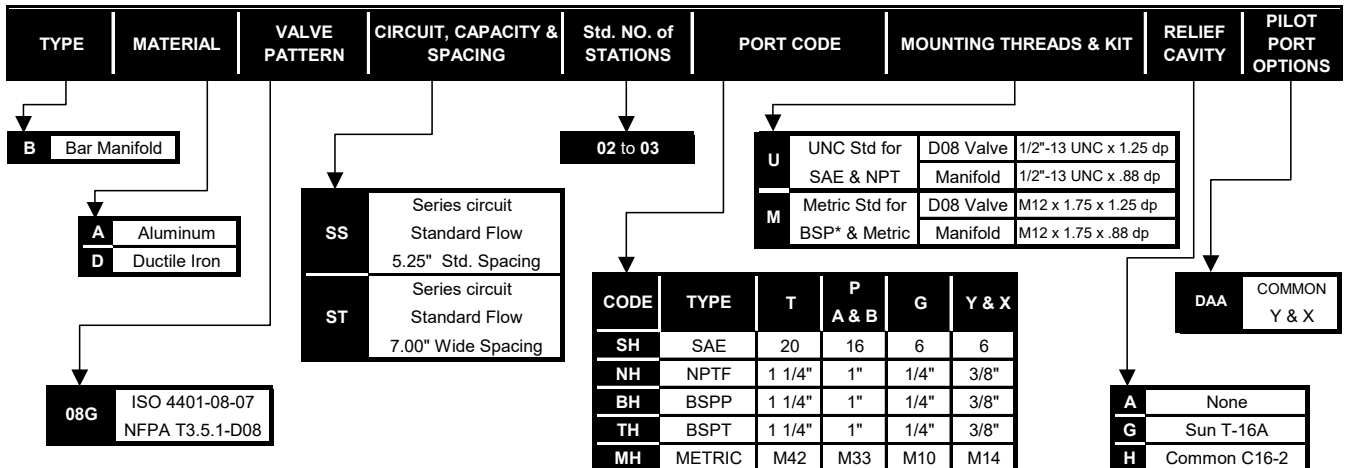
RELIEF  
OPTION  
AVAILABLE

No. of Stations	2	3	4
Dim. "L", 5.25" spacing	11.50	16.75	22.00
est. weight in lb.- alum	38	56	73
est. weight in lb.- iron	103	150	198
Dim. "L", 7.00" spacing	13.25	20.25	27.25
est. weight in lb.- alum	44	67	91
est. weight in lb.- iron	119	182	245

SHADED AREA AVAILABLE  
ON SPECIAL ORDER ONLY

### PART NUMBER SYSTEM

Aluminum D08 with 5.25" spacing, Common Y & X and SAE porting example: BA08GSS\*\*SHUADAA



WE RESERVE THE RIGHT TO DISCONTINUE MODELS, OR CHANGE SPECIFICATIONS WITHOUT NOTICE OR INCURRING OBLIGATION

Lynch Products Can Be Modified to Suit Your Application

Phone: 1 (888) 626-4365 or +1 (905) 363-2400 Fax: 1 (800) 263-5807 www.lynch.ca sales@lynch.ca