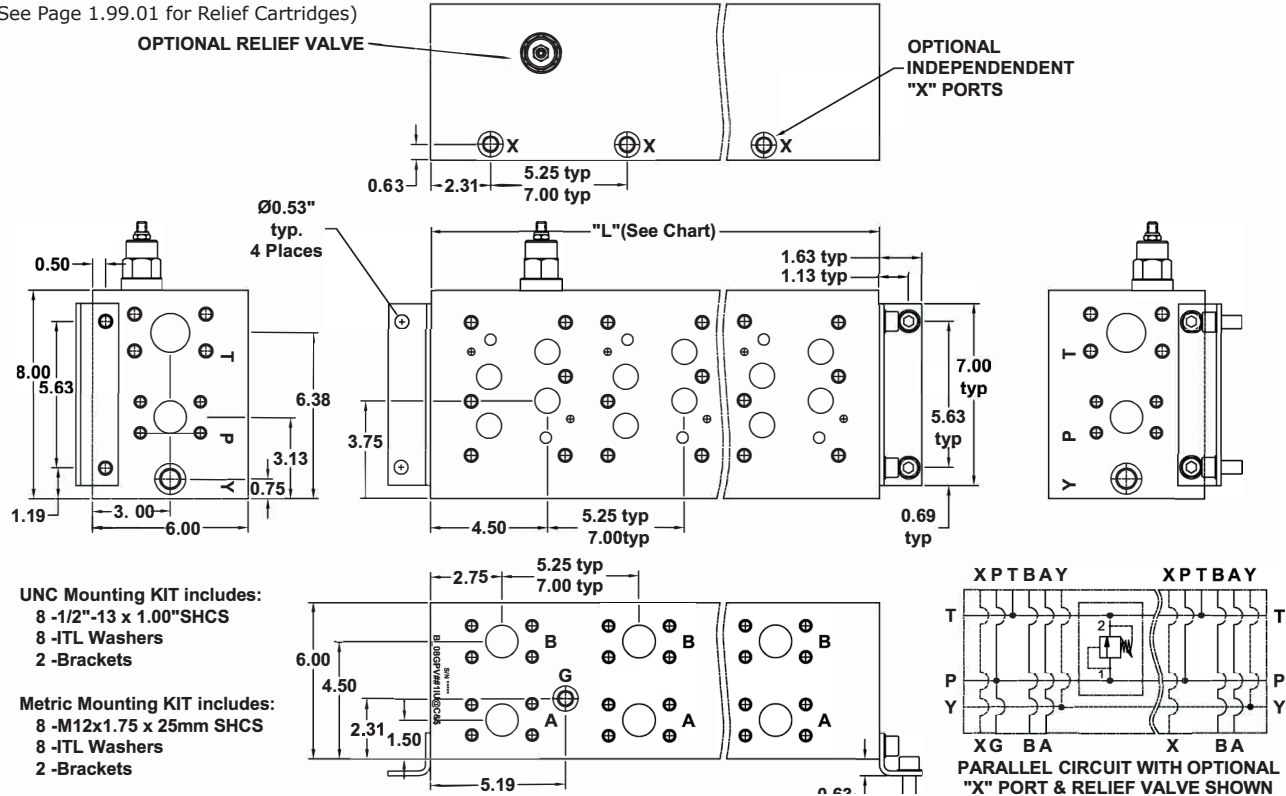


# D08 Very High Flow Parallel Circuit with Flange Ports

(See Page 1.99.01 for Relief Cartridges)



No. of Stations	1	2	3	4	5	6	7
Dim. "L", 5.25" spacing	6.75	12.00	17.25	22.50	27.75	33.00	38.25
est. weight in lb.- alum	31	55	79	103	127	150	174
est. weight in lb.- iron	83	148	212	277	342	406	471
Dim. "L", 7.00" spacing	-	13.75	20.75	27.75	34.75	-	-
est. weight in lb.- alum	-	63	95	127	158	-	-
est. weight in lb.- iron	-	169	255	342	428	-	-

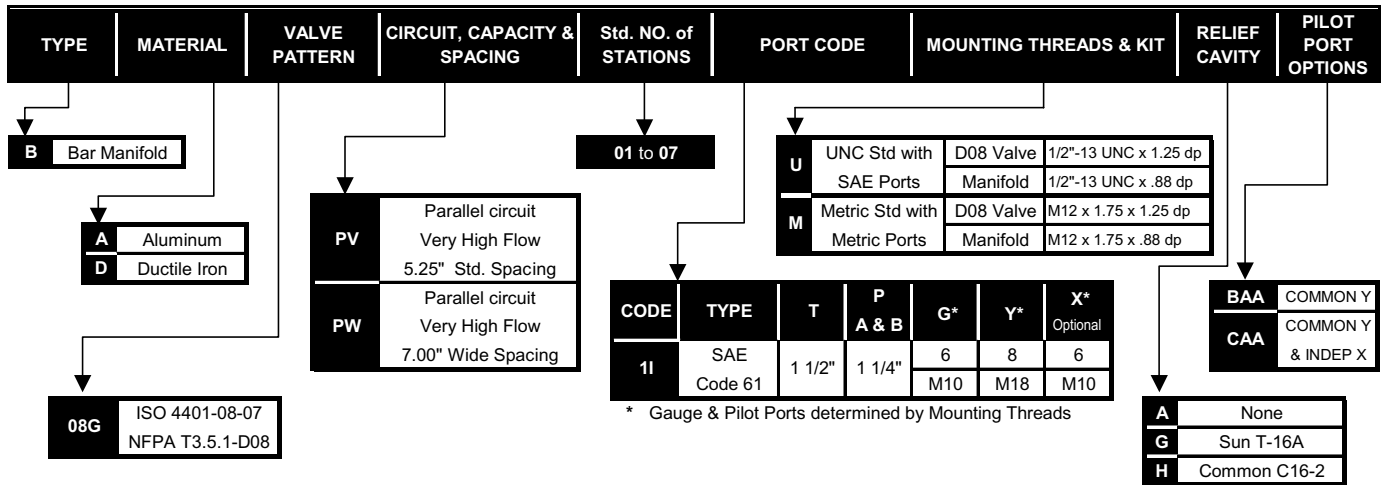
SHADED AREA AVAILABLE  
ON SPECIAL ORDER ONLY

**Notes:**

- 1) Isolations on P & T available - See Page 5 for Codes
- 2) Common X port option available - contact factory for P/N
- 3) Larger relief cavities available - contact factory for P/N

**PART NUMBER SYSTEM**

Aluminum D08 with 5.25" spacing, Common Y & Flange porting example: **BA08GPV\*\*1IUABAA**



WE RESERVE THE RIGHT TO DISCONTINUE MODELS, OR CHANGE SPECIFICATIONS WITHOUT NOTICE OR INCURRING OBLIGATION

**Lynch Products Can Be Modified to Suit Your Application**

Phone: 1 (888) 626-4365 or +1 (905) 363-2400 Fax: 1 (800) 263-5807 www.lynch.ca sales@lynch.ca