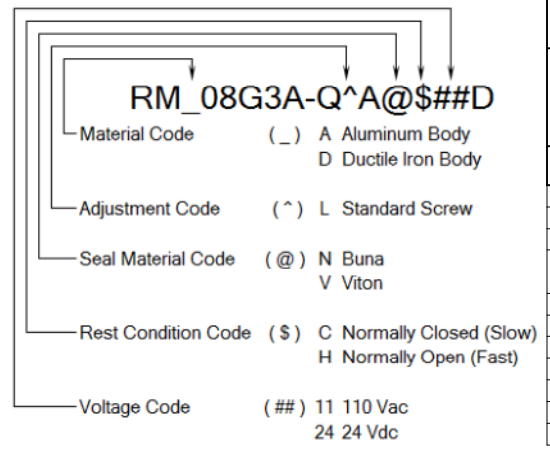


MODEL CODE BREAKDOWN



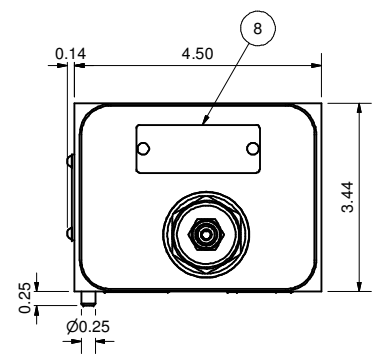
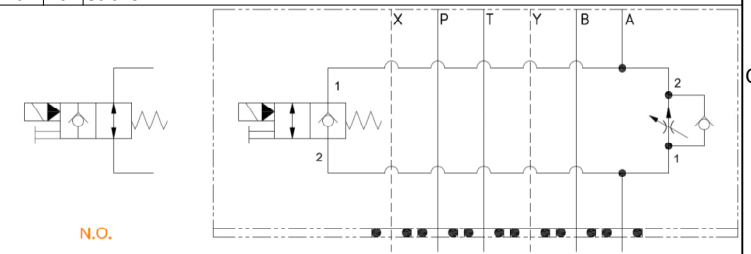
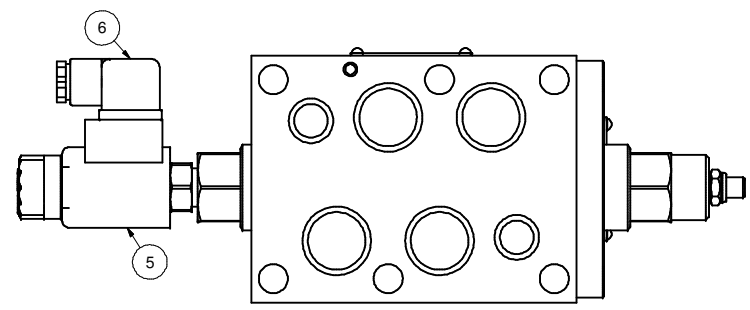
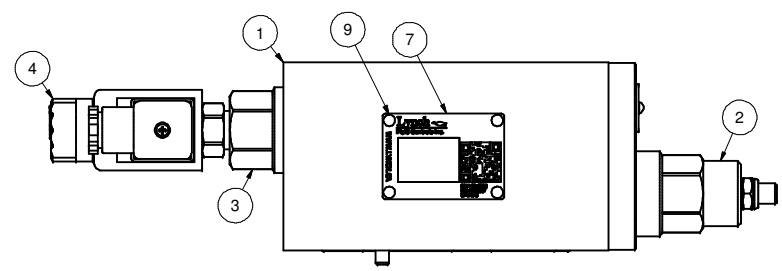
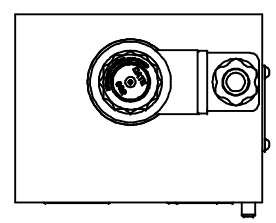
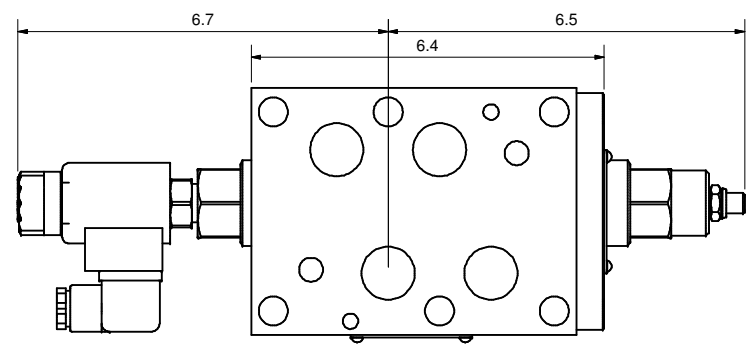
Lynch
Fluid Controls Inc.

PROPRIETARY NOTICE
THIS DRAWING DESCRIBES A PROPRIETARY PRODUCT OF LYNCH FLUID CONTROLS INC. WHICH MAY NOT BE REPRODUCED IN WHOLE OR IN PART NOR GIVEN TO A THIRD PARTY WITHOUT WRITTEN PERMISSION FROM LYNCH FLUID CONTROLS INC.

DATA UNIT: INCH 3RD ANGLE PROJECTION

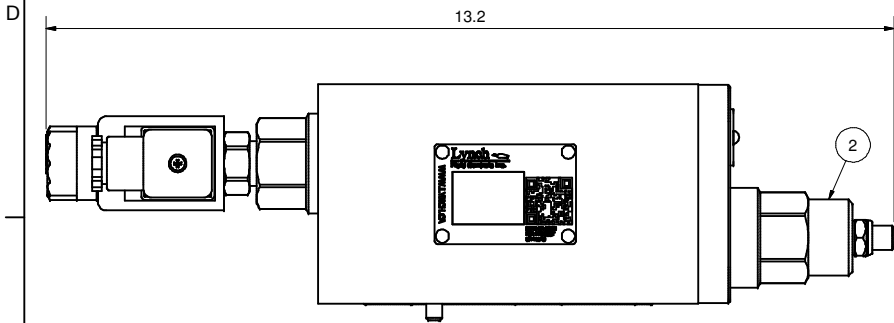
DWG NO	RM_08G3A-Q^A@\$##D	REV	-
MODEL CODE	RM_08G3A-Q^A@\$##D		
TITLE	2 Speed D08 Sandwich Module M/O A Pilot Operated Poppet PC Flow Control		

ITEM	QTY	DESCRIPTION
1	1	Manifold Body
2	1	[Flow Control] Fully adjustable pressure compensated flow control valve with reverse flow check
3	1	[Main Stage] 2-way, poppet directional valve with integral T-8A control cavity - control 2-1
4	1	[Solenoid] 2-way, solenoid-operated directional spool valve - pilot capacity
5	1	Coil
6	1	Connector
7	1	Nameplate
8	1	Nameplate
9	6	Screws



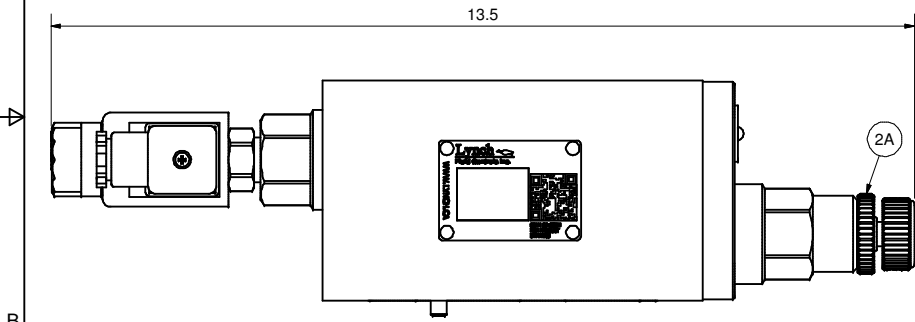
DWG NO RM_08G3A-Q^A@\$##D

L - Standard Screw



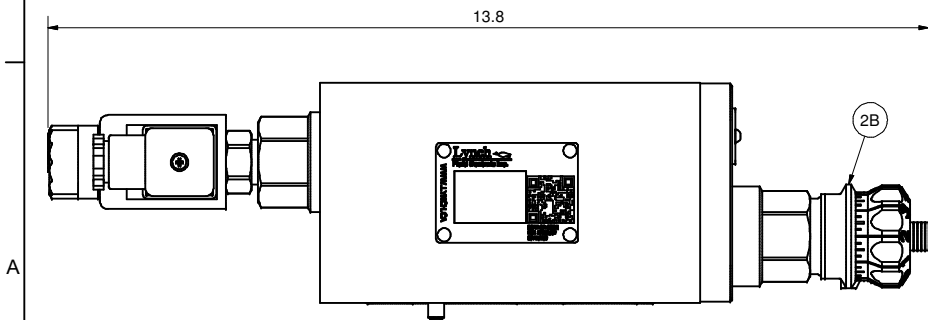
K - Hand-Knob

Non-Standard Option: Order Standard L control w/ 991 211 Kit



H - Calibrated Hand-Knob

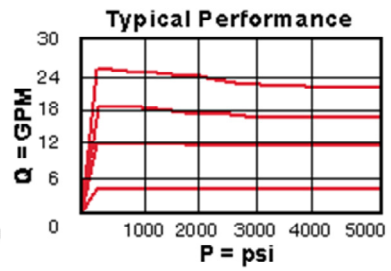
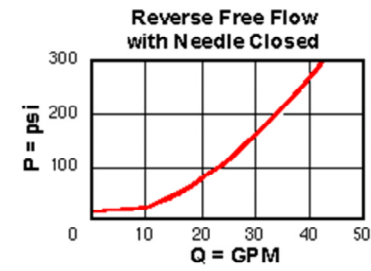
Non-Standard Option



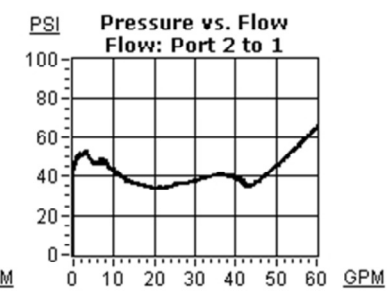
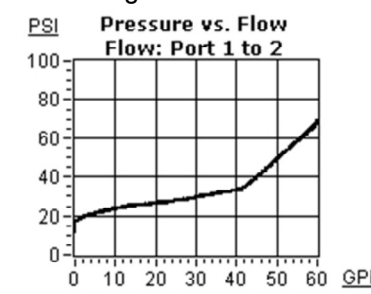
DWG NO	RM_08G3A-Q^A@##D	REV	-
MODEL CODE	RM_08G3A-Q^A@##D		
PROPRIETARY NOTICE THIS DRAWING DESCRIBES A PROPRIETARY PRODUCT OF LYNCH FLUID CONTROLS INC. WHICH MAY NOT BE REPRODUCED IN WHOLE OR IN PART NOR GIVEN TO A THIRD PARTY WITHOUT WRITTEN PERMISSION FROM LYNCH FLUID CONTROLS INC.		TITLE Technical Data & Non-Standard Options	
DATA UNIT: INCH	3RD ANGLE PROJECTION		

ITEM QTY		DESCRIPTION
2	1	[Flow Control] Fully adjustable pressure compensated flow control valve with reverse flow check
2A	1	[Flow Control] Fully adjustable pressure compensated flow control valve with reverse flow check [Hand-Knob]
2B	1	[Flow Control] Fully adjustable pressure compensated flow control valve with reverse flow check [Calibrated Hand-Knob]

Flow Control



Main Stage



DWG NO RM_08G3A-Q^A@##D

C

A

B

A