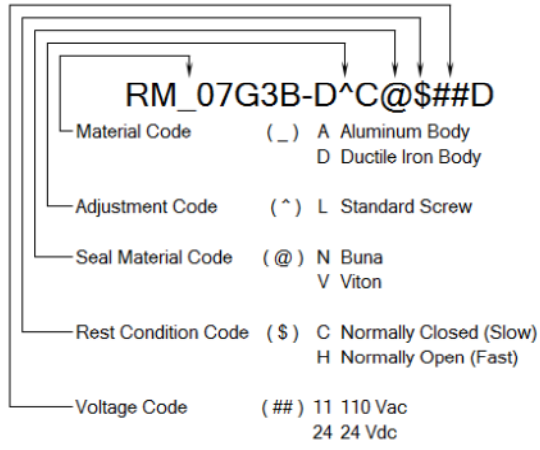


DWG NO RM_07G3B-D^C@\$\$#D

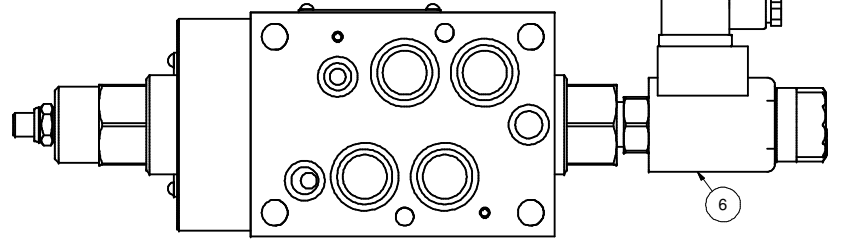
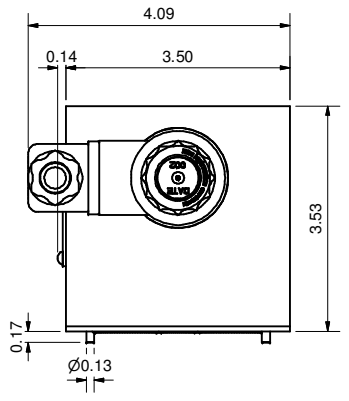
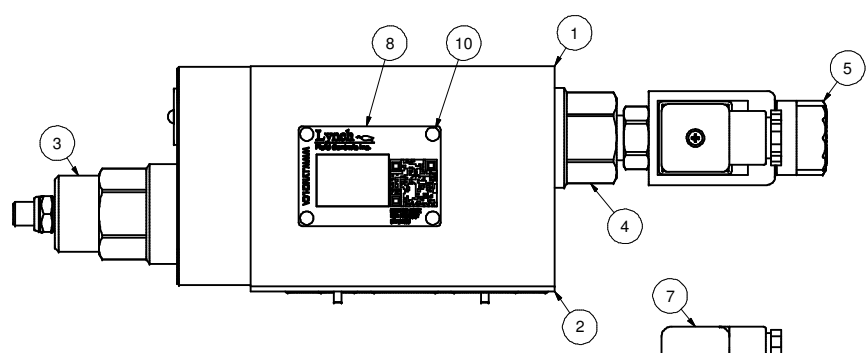
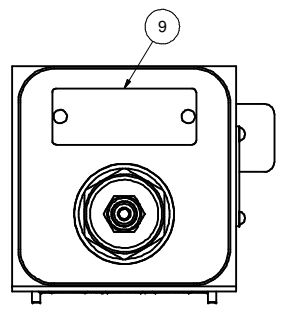
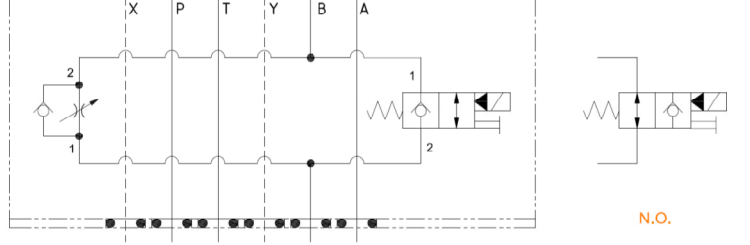
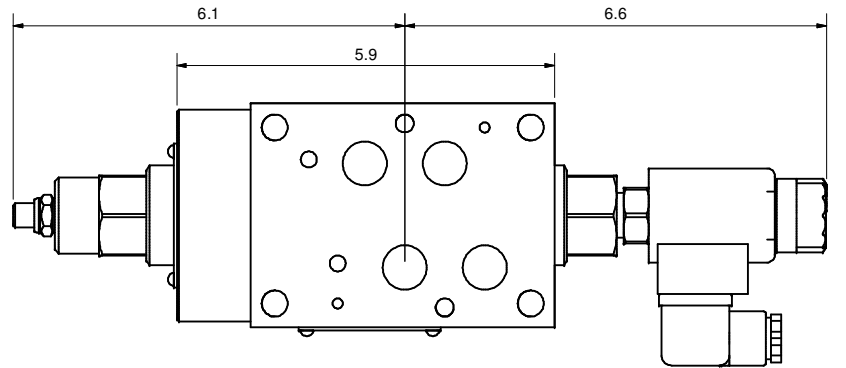
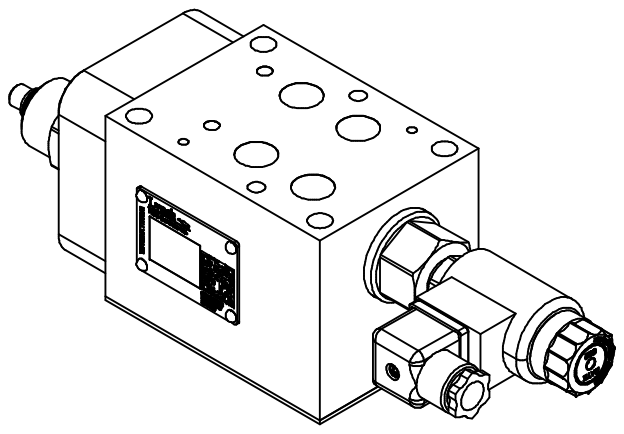


DWG NO	RM_07G3B-D^C@\$\$#D	REV	-
MODEL CODE	RM_07G3B-D^C@\$\$#D		
PROPRIETARY NOTICE THIS DRAWING DESCRIBES A PROPRIETARY PRODUCT OF LYNCH FLUID CONTROLS INC. WHICH MAY NOT BE REPRODUCED IN WHOLE OR IN PART NOR GIVEN TO A THIRD PARTY WITHOUT WRITTEN PERMISSION FROM LYNCH FLUID CONTROLS INC.		TITLE 2 Speed D07 Sandwich Module M/O B Pilot Operated Poppet Needle w/ FF Check	
DATA UNIT: INCH	3RD ANGLE PROJECTION		

MODEL CODE BREAKDOWN



ITEM QTY		DESCRIPTION
1	1	Manifold Body
2	1	Seal Plate
3	1	[Flow Control] Fully adjustable needle valve with reverse flow check
4	1	[Main Stage] 2-way, poppet directional valve with integral T-8A control cavity - control 2-1
5	1	[Solenoid] 2-way, solenoid-operated directional spool valve - pilot capacity
6	1	Coil
7	1	Connector
8	1	Nameplate
9	1	Nameplate
10	6	Screws



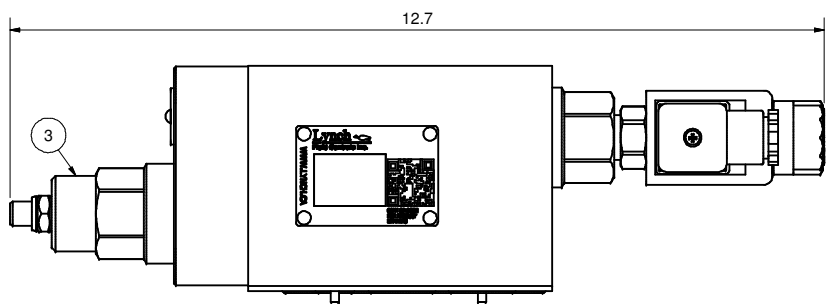
LYNCH FLUID CONTROLS INC. RESERVES THE RIGHT TO DISCONTINUE MODELS, OR CHANGE SPECIFICATIONS WITHOUT NOTICE OR INCURRING OBLIGATION.

DWG NO RM_07G3B-D^C@\$\$#D



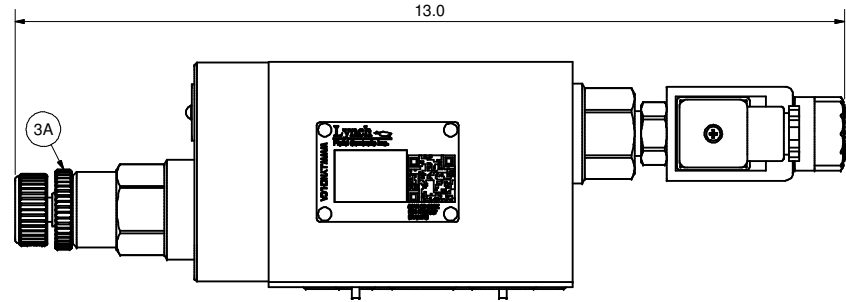
DWG NO	RM_07G3B-D^C@\$\$#D	REV	-
MODEL CODE	RM_07G3B-D^C@\$\$#D		
PROPRIETARY NOTICE THIS DRAWING DESCRIBES A PROPRIETARY PRODUCT OF LYNCH FLUID CONTROLS INC. WHICH MAY NOT BE REPRODUCED IN WHOLE OR IN PART NOR GIVEN TO A THIRD PARTY WITHOUT WRITTEN PERMISSION FROM LYNCH FLUID CONTROLS INC.		TITLE Technical Data & Non-Standard Options	
DATA UNIT: INCH	3RD ANGLE PROJECTION		

L - Standard Screw



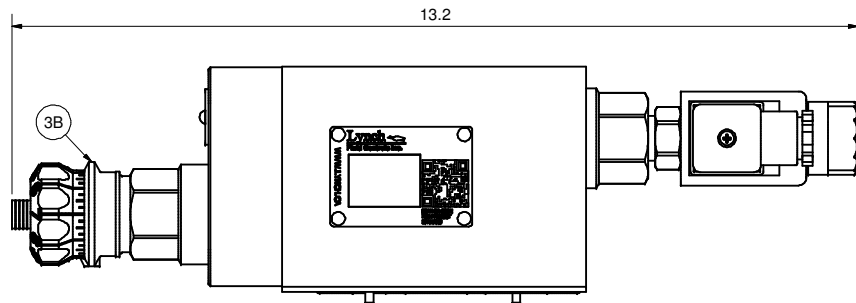
K - Hand-Knob

Non-Standard Option: Order Standard L control w/ 991 211 Kit



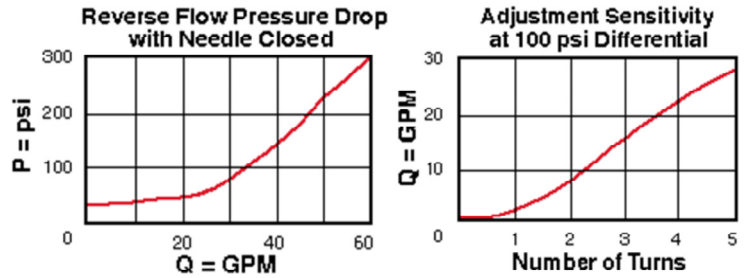
H - Calibrated Hand-Knob

Non-Standard Option



Bill of Material	
ITEM	DESCRIPTION
3	1 [Flow Control] Fully adjustable needle valve with reverse flow check
3A	1 [Flow Control] Fully adjustable needle valve with reverse flow check [Hand-Knob]
3B	1 [Flow Control] Fully adjustable needle valve with reverse flow check [Calibrated Hand-Knob]

Flow Control



Main Stage

