

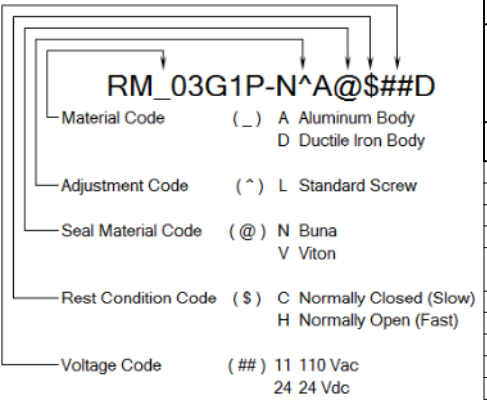
DWG NO. RM_03G1P-N^A@\$\$#D



DWG NO	RM_03G1P-N^A@\$\$#D	REV	-
MODEL CODE	RM_03G1P-N^A@\$\$#D		
TITLE	2 Speed D03 Sandwich Module M/I P Direct Acting Spool PC Flow Control		
DATA UNIT: INCH	3RD ANGLE PROJECTION		

MODEL CODE BREAKDOWN

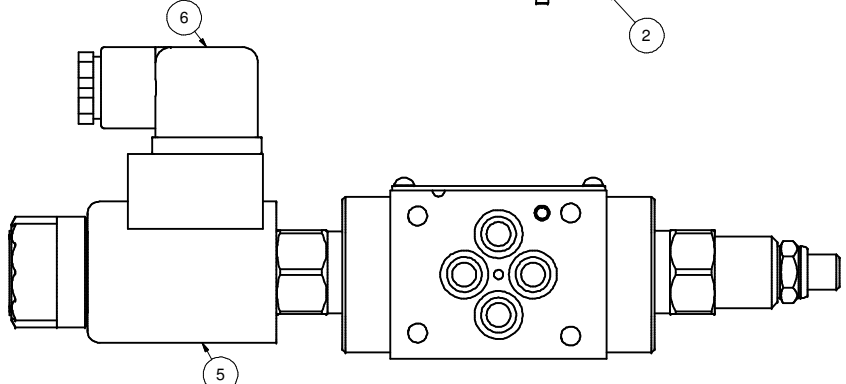
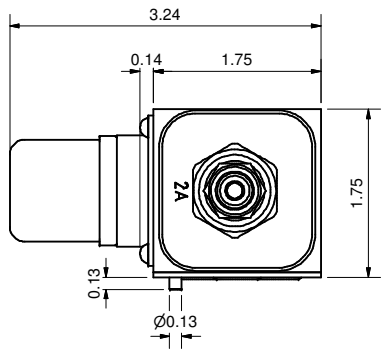
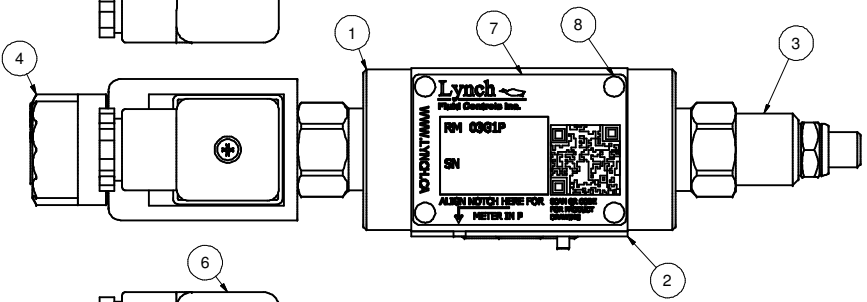
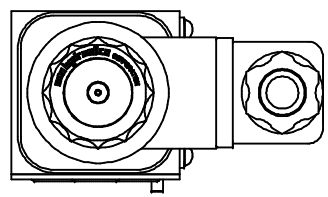
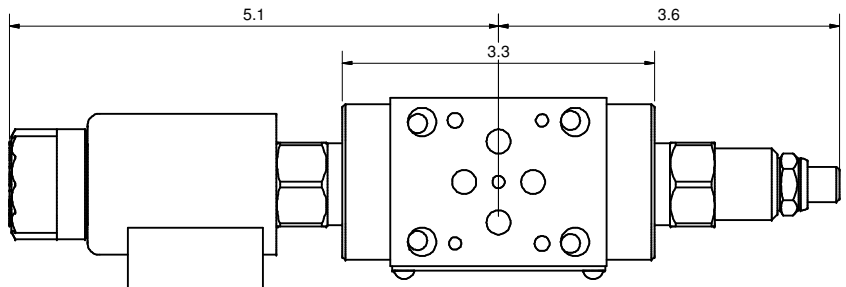
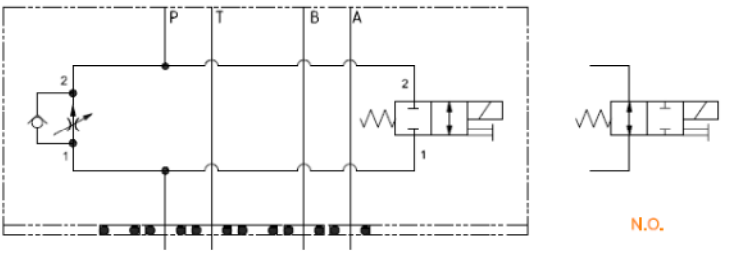
RM_03G1P-N^A@\$\$#D

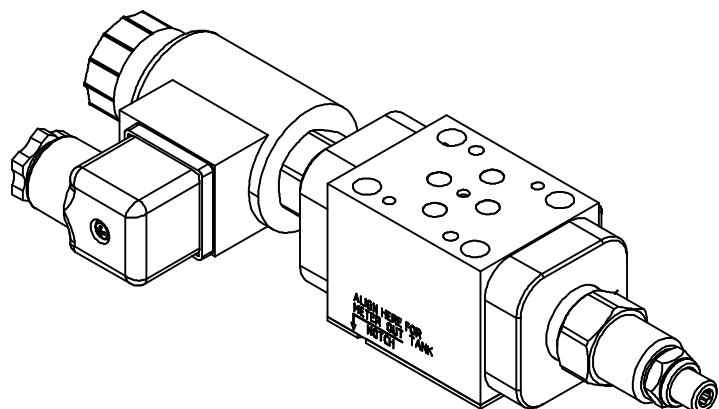


PROPRIETARY NOTICE
THIS DRAWING DESCRIBES A PROPRIETARY PRODUCT OF LYNCH FLUID CONTROLS INC. WHICH MAY NOT BE REPRODUCED IN WHOLE OR IN PART NOR GIVEN TO A THIRD PARTY WITHOUT WRITTEN PERMISSION FROM LYNCH FLUID CONTROLS INC.

ITEM	QTY	DESCRIPTION
------	-----	-------------

Bill of Material		
ITEM	QTY	DESCRIPTION
1	1	Manifold Body
2	1	Seal Plate
3	1	[Flow Control] Fully adjustable pressure compensated flow control valve with reverse flow check
4	1	[Solenoid] 2-way, solenoid-operated directional spool valve
5	1	Coil
6	1	Connector
7	1	Nameplate
8	4	Screws





MODEL CODE BREAKDOWN

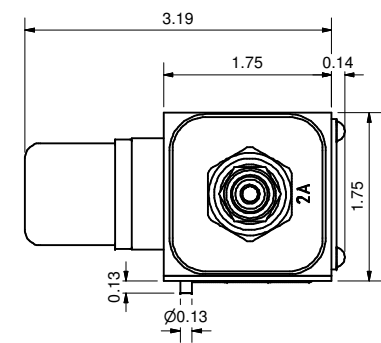
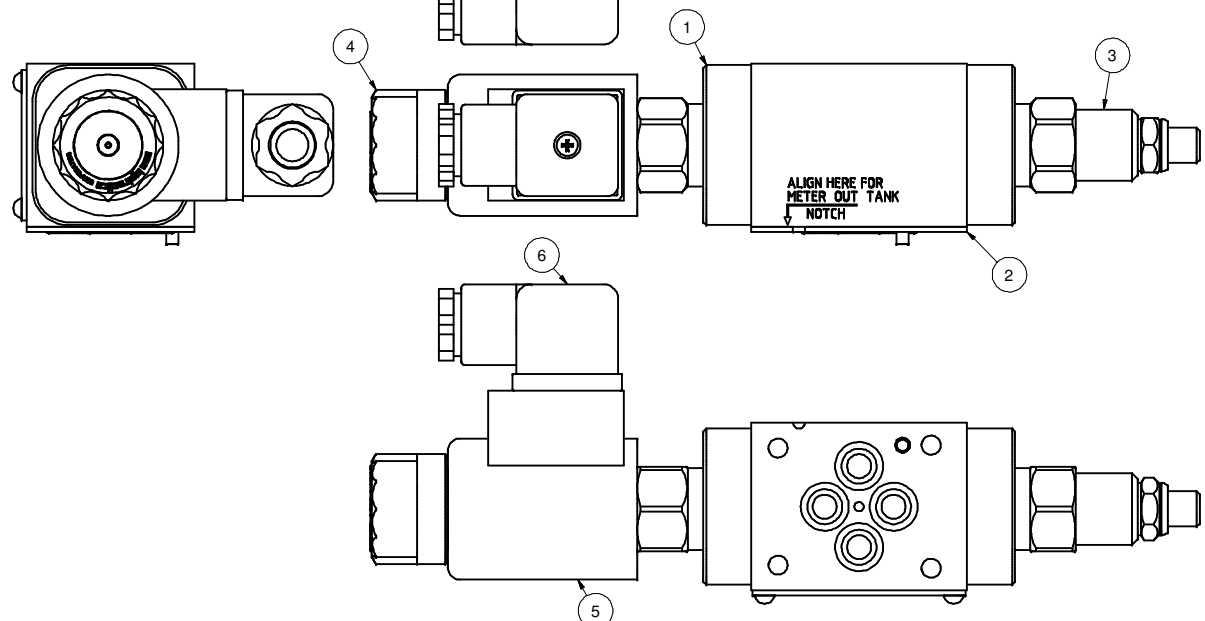
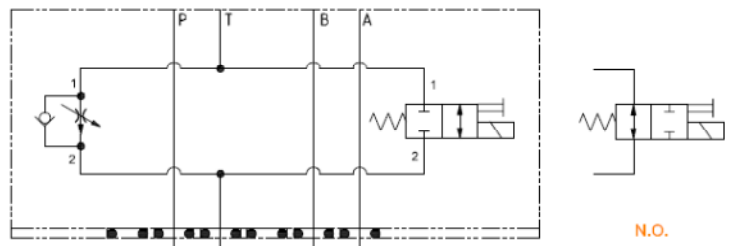
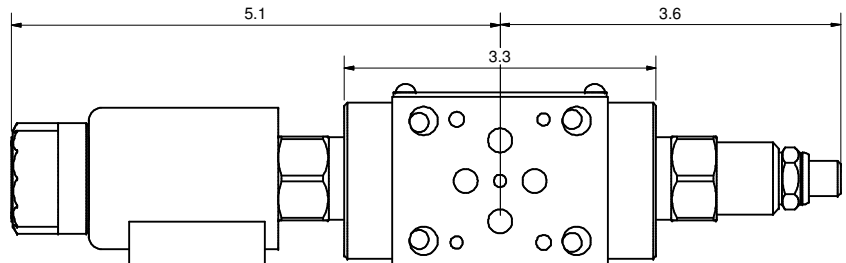
RM_03G1P-N^A@\$\$D

- Material Code () A Aluminum Body
D Ductile Iron Body
- Adjustment Code (^) L Standard Screw
- Seal Material Code (@) N Buna
V Viton
- Rest Condition Code (\$) C Normally Closed (Slow)
H Normally Open (Fast)
- Voltage Code (#) 11 110 Vac
24 24 Vdc



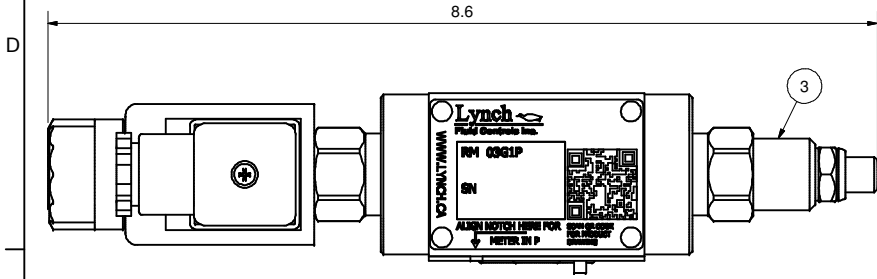
DWG NO	RM_03G1P-N^A@\$\$D	REV	-
MODEL CODE	RM_03G1P-N^A@\$\$D		
PROPRIETARY NOTICE THIS DRAWING DESCRIBES A PROPRIETARY PRODUCT OF LYNCH FLUID CONTROLS INC. WHICH MAY NOT BE REPRODUCED IN WHOLE OR IN PART NOR GIVEN TO A THIRD PARTY WITHOUT WRITTEN PERMISSION FROM LYNCH FLUID CONTROLS INC.		TITLE 2 Speed D03 Sandwich Module M/O T Direct Acting Spool PC Flow Control	
DATA UNIT: INCH	3RD ANGLE PROJECTION		

Bill of Material		
ITEM	QTY	DESCRIPTION
1	1	Manifold Body
2	1	Seal Plate
3	1	[Flow Control] Fully adjustable pressure compensated flow control valve with reverse flow check
4	1	[Solenoid] 2-way, solenoid-operated directional spool valve
5	1	Coil
6	1	Connector
7	1	Nameplate
8	4	Screws



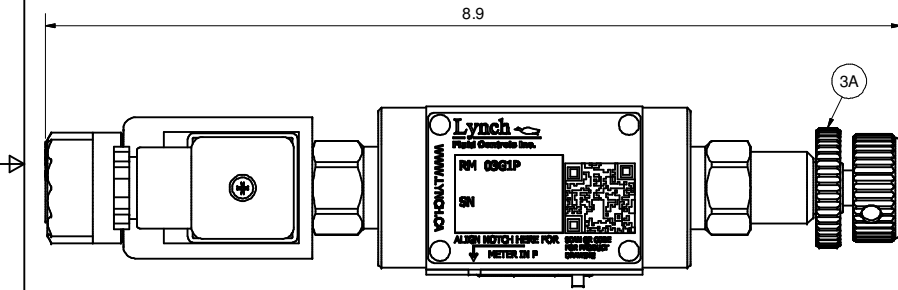
DWG NO RM_03G1P-N^A@\$\$D

L - Standard Screw



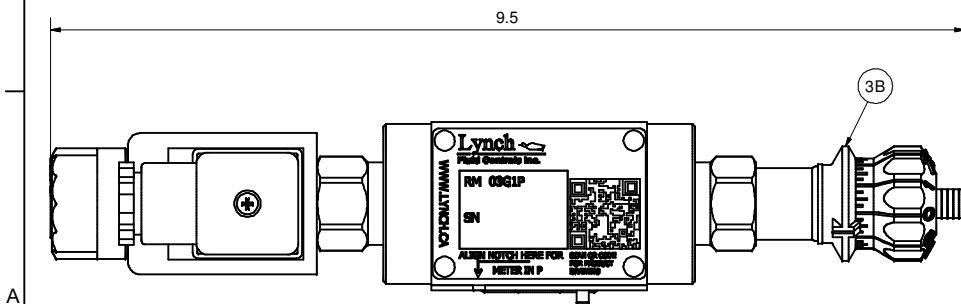
K - Hand-Knob

Non-Standard Option: Order Standard L control w/ 991 211 Kit



H - Calibrated Hand-Knob

Non-Standard Option



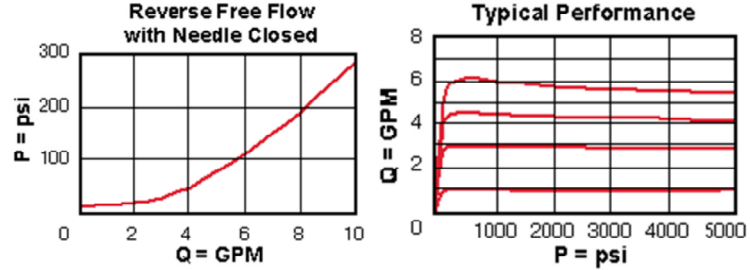
LYNCH FLUID CONTROLS INC. RESERVES THE RIGHT TO DISCONTINUE MODELS OR CHANGE SPECIFICATIONS WITHOUT NOTICE OR INCURRING OBLIGATION.



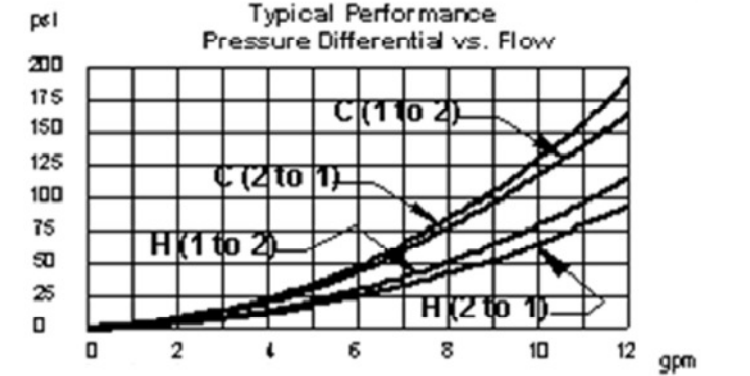
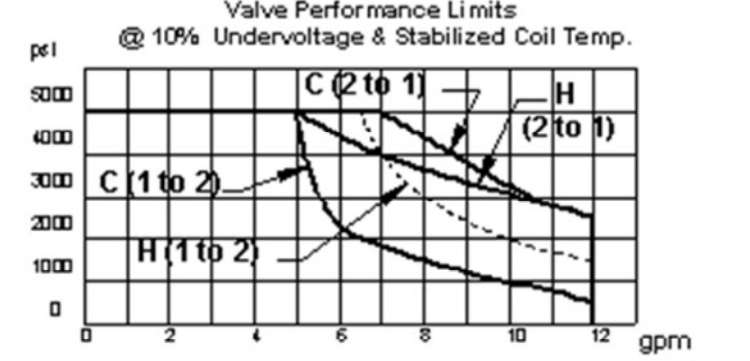
DWG NO	RM_03G1P-N^A@\$\$#D	REV	-
MODEL CODE	RM_03G1P-N^A@\$\$#D		
PROPRIETARY NOTICE THIS DRAWING DESCRIBES A PROPRIETARY PRODUCT OF LYNCH FLUID CONTROLS INC. WHICH MAY NOT BE REPRODUCED IN WHOLE OR IN PART NOR GIVEN TO A THIRD PARTY WITHOUT WRITTEN PERMISSION FROM LYNCH FLUID CONTROLS INC.		TITLE Technical Data & Non-Standard Options	
DATA UNIT: INCH	3RD ANGLE PROJECTION		

Bill of Material	
ITEM	DESCRIPTION
3	1 [Flow Control] Fully adjustable pressure compensated flow control valve with reverse flow check
3A	1 [Flow Control] Fully adjustable pressure compensated flow control valve with reverse flow check [Hand-Knob]
3B	1 [Flow Control] Fully adjustable pressure compensated flow control valve with reverse flow check [Calibrated Hand-Knob]

Flow Control



Solenoid



DWG NO RM_03G1P-N^A@\$\$#D

A

B

C

D