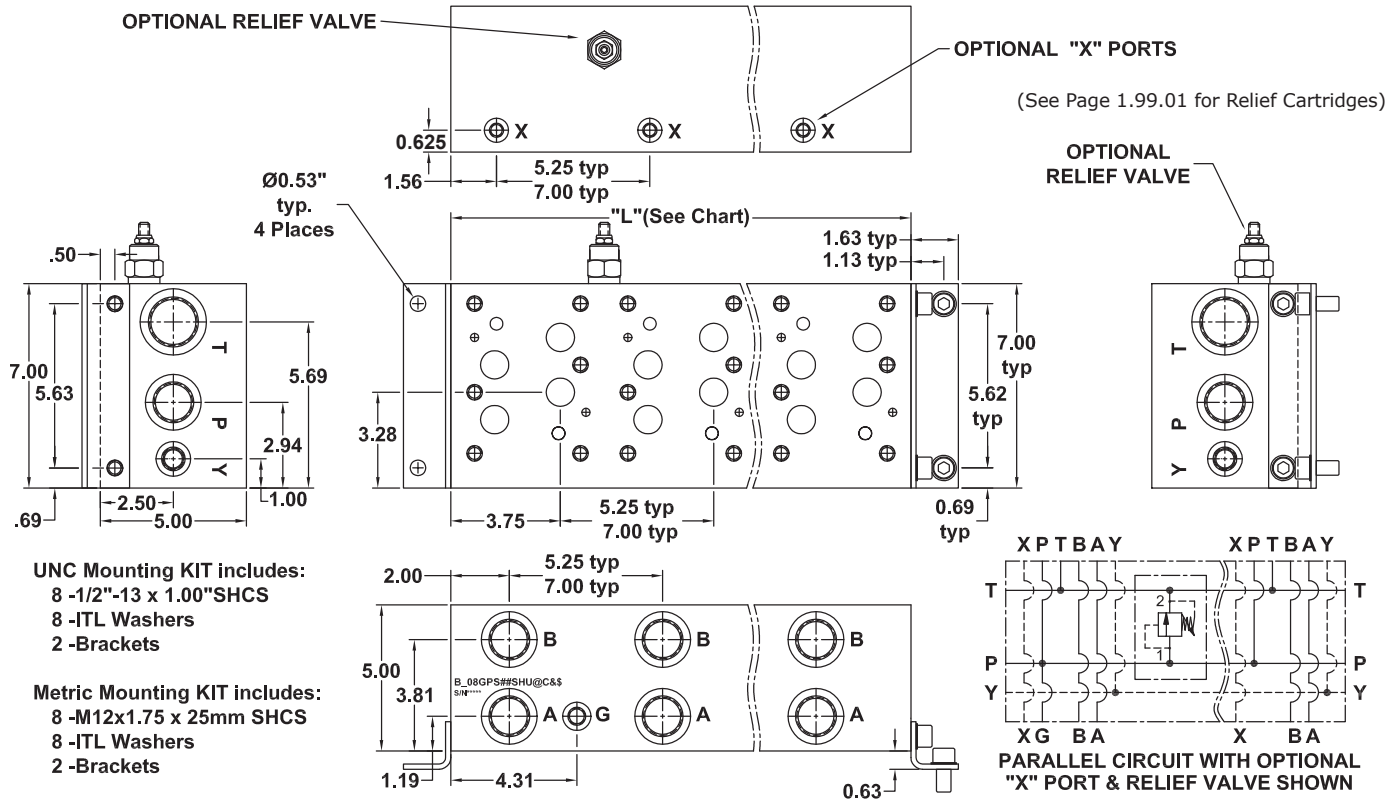


D08 Standard Flow Parallel Circuit Manifold



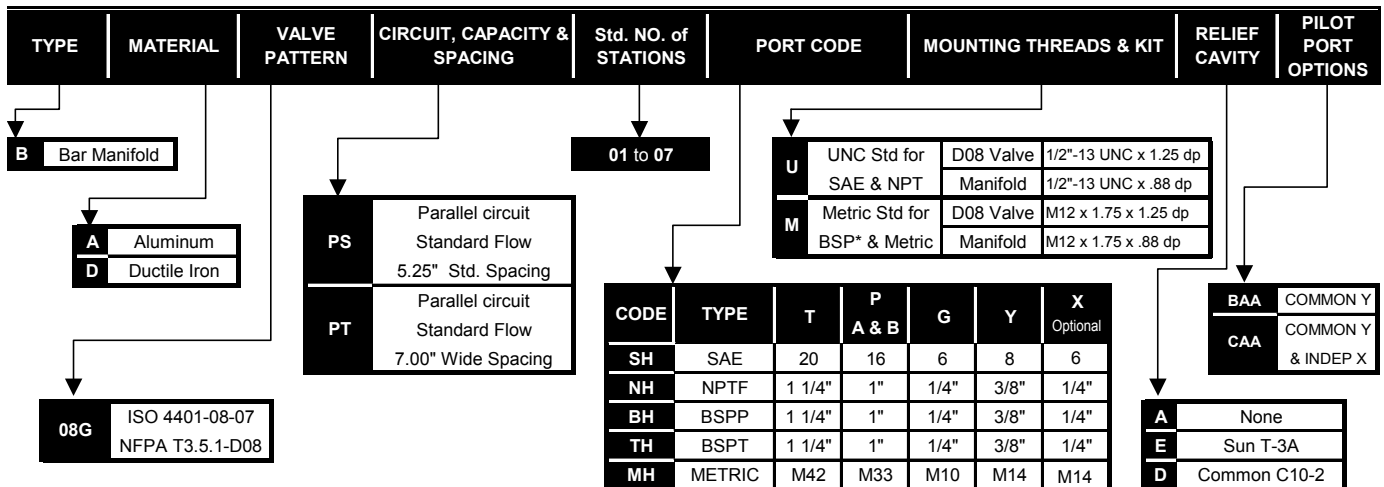
No. of Stations	1	2	3	4	5	6	7
Dim. "L", 5.25" spacing	5.25	10.50	15.75	21.00	26.25	31.50	36.75
est. weight in lb.- alum	17	35	52	70	87	105	122
est. weight in lb.- iron	47	94	141	189	236	283	330
Dim. "L", 7.00" spacing	-	12.25	19.25	26.25	33.25	-	-
est. weight in lb.- alum	-	41	64	87	111	-	-
est. weight in lb.- iron	-	110	173	236	299	-	-

Notes:

- 1) Isolations on P & T available - See Page 5 for Codes
- 2) Common X port option available - contact factory for P/N
- 3) Larger relief cavities available - contact factory for P/N

PART NUMBER SYSTEM

Aluminum D08 with 5.25" spacing, Common Y & SAE porting example: **BA08GPS**SHUABAA**



WE RESERVE THE RIGHT TO DISCONTINUE MODELS, OR CHANGE SPECIFICATIONS WITHOUT NOTICE OR INCURRING OBLIGATION

Lynch Products Can Be Modified to Suit Your Application

Phone: 1 (888) 626-4365 or +1 (905) 363-2400 Fax: 1 (800) 263-5807 www.lynch.ca sales@lynch.ca