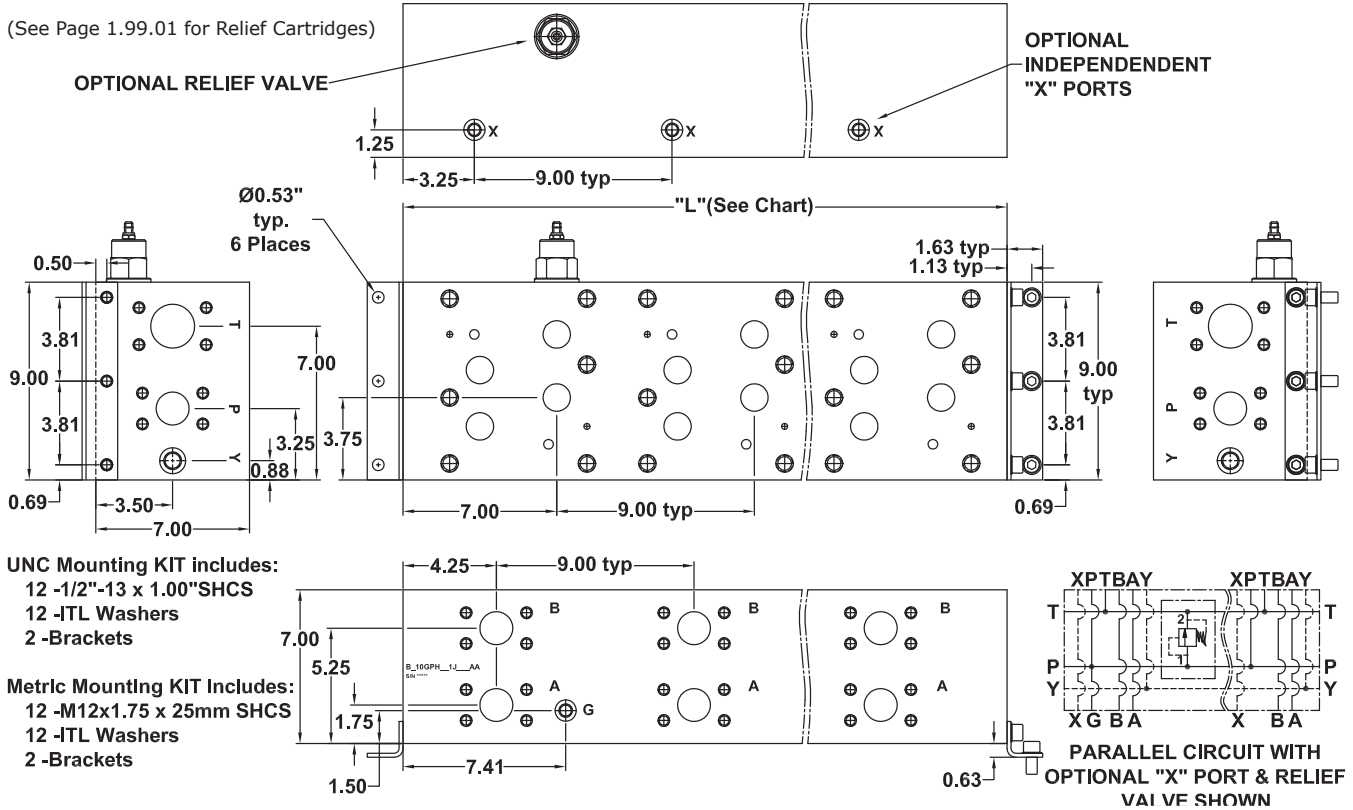


D10 High Flow Parallel Circuit with Flange Ports



| No. of Stations | 1 | 2 | 3 | 4 |
|---------------------------|-------|-------|-------|-------|
| Dim. "L", 9.00" spacing | 10.00 | 19.00 | 28.00 | 37.00 |
| est. weight in lb. - alum | 46 | 87 | 128 | 169 |
| est. weight in lb. - iron | 123 | 234 | 345 | 456 |

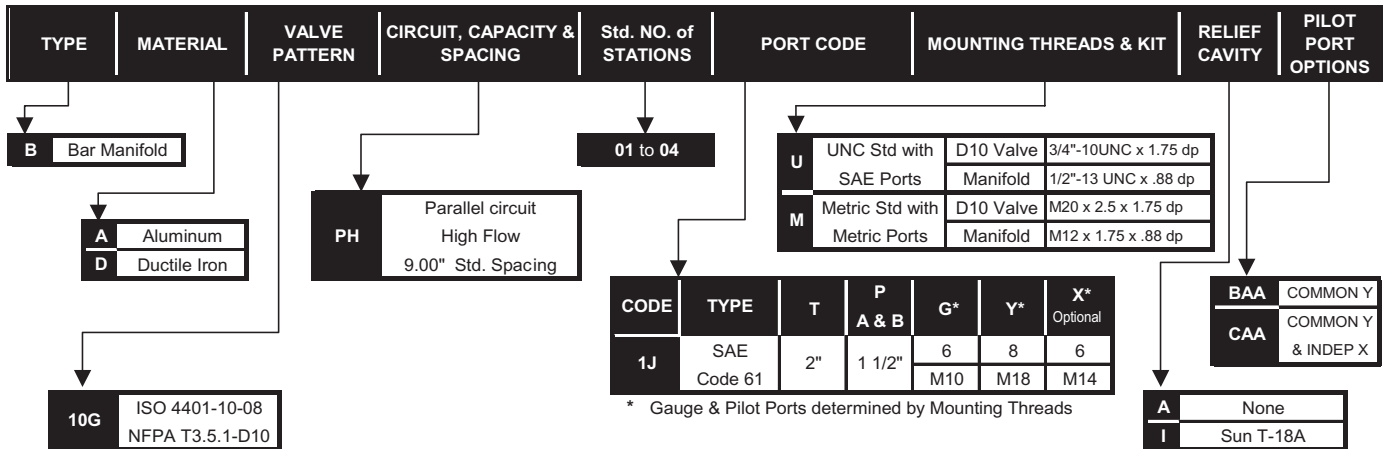
SHADED AREA AVAILABLE ON SPECIAL ORDER ONLY

Notes:

- 1) Isolations on P & T available - See Page 5 for Codes
- 2) Common X port option available - contact factory for P/N
- 3) Wide Spacing Option - contact factory

PART NUMBER SYSTEM

Aluminum D10 with 9.00" spacing, Common Y & Flange porting example: BA10GPH**1JUABAA



WE RESERVE THE RIGHT TO DISCONTINUE MODELS, OR CHANGE SPECIFICATIONS WITHOUT NOTICE OR INCURRING OBLIGATION

Lynch Products Can Be Modified to Suit Your Application

Phone: 1 (888) 626-4365 or +1 (905) 363-2400 Fax: 1 (800) 263-5807 www.lynch.ca sales@lynch.ca