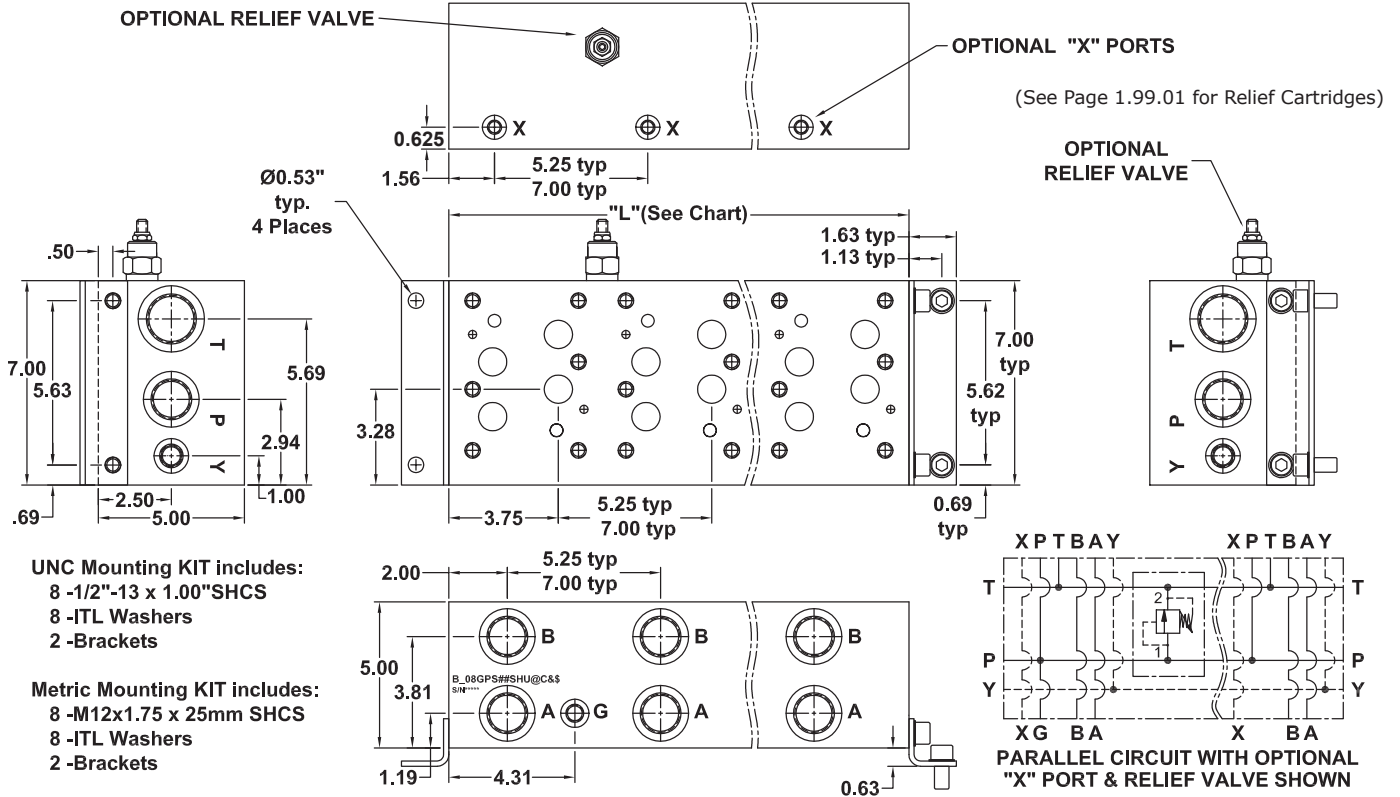


D08 Standard Flow Parallel Circuit Manifold



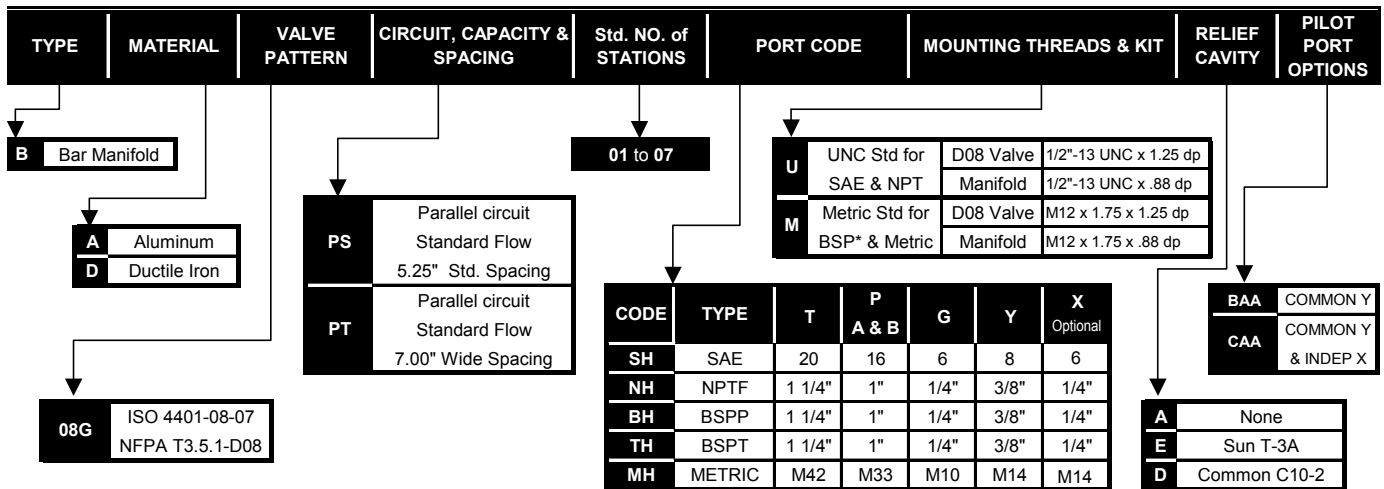
| No. of Stations | 1 | 2 | 3 | 4 | 5 | 6 | 7 |
|--------------------------|------|-------|-------|-------|-------|-------|-------|
| Dim. "L", 5.25" spacing | 5.25 | 10.50 | 15.75 | 21.00 | 26.25 | 31.50 | 36.75 |
| est. weight in lb.- alum | 17 | 35 | 52 | 70 | 87 | 105 | 122 |
| est. weight in lb.- iron | 47 | 94 | 141 | 189 | 236 | 283 | 330 |
| Dim. "L", 7.00" spacing | - | 12.25 | 19.25 | 26.25 | 33.25 | - | - |
| est. weight in lb.- alum | - | 41 | 64 | 87 | 111 | - | - |
| est. weight in lb.- iron | - | 110 | 173 | 236 | 299 | - | - |

Notes:

- 1) Isolations on P & T available - See Page 5 for Codes
- 2) Common X port option available - contact factory for P/N
- 3) Larger relief cavities available - contact factory for P/N

PART NUMBER SYSTEM

Aluminum D08 with 5.25" spacing, Common Y & SAE porting example: **BA08GPS**SHUABAA**



WE RESERVE THE RIGHT TO DISCONTINUE MODELS, OR CHANGE SPECIFICATIONS WITHOUT NOTICE OR INCURRING OBLIGATION

Lynch Products Can Be Modified to Suit Your Application

Phone: 1 (888) 626-4365 or +1 (905) 363-2400 Fax: 1 (800) 263-5807 www.lynch.ca sales@lynch.ca