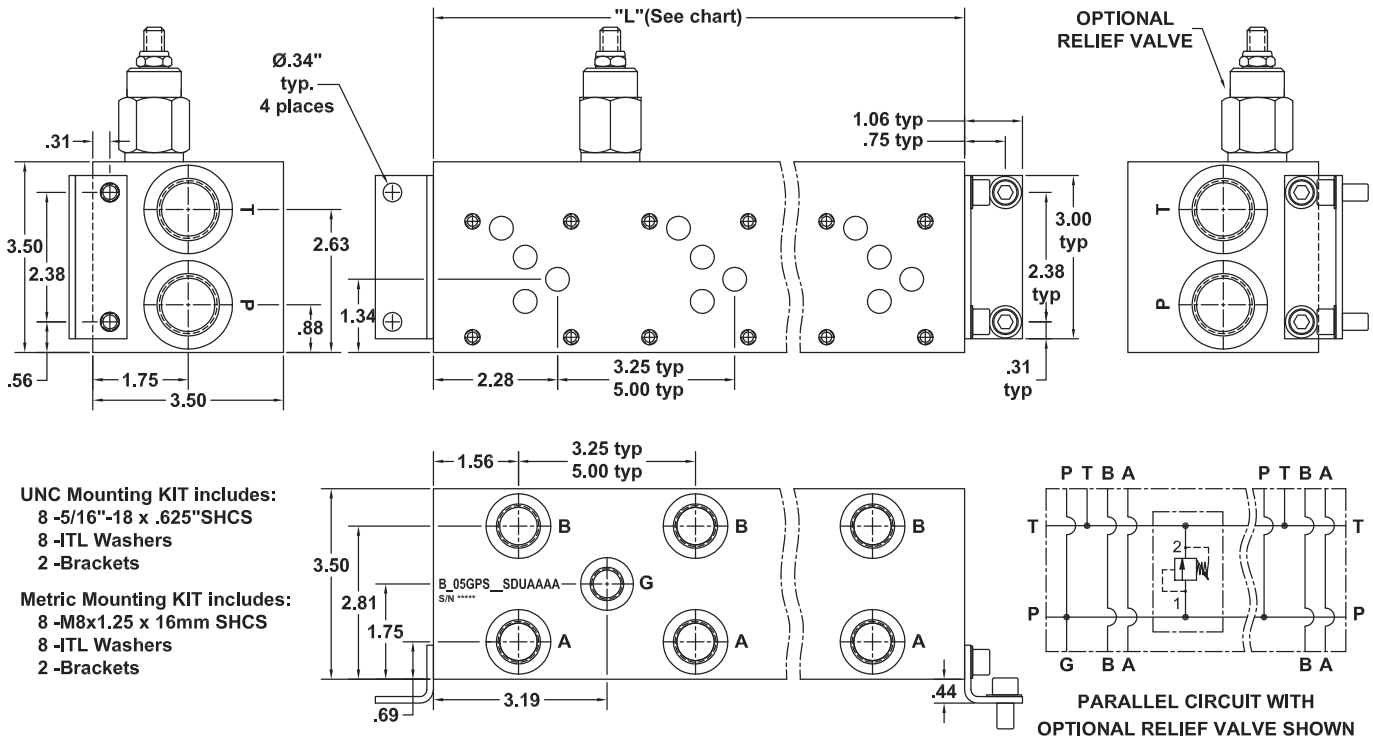


D05 Standard Flow Parallel Circuit Manifold



UNC Mounting KIT includes:
8 -5/16"-18 x .625"SHCS
8 -ITL Washers
2 -Brackets

Metric Mounting KIT includes:
8 -M8x1.25 x 16mm SHCS
8 -ITL Washers
2 -Brackets

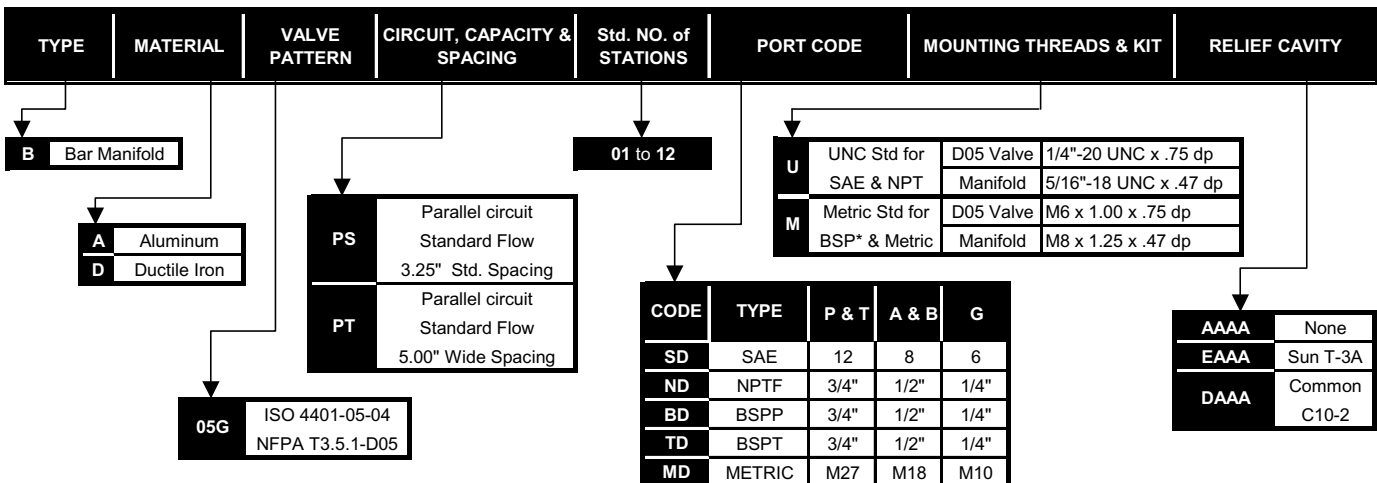
No. of Stations	1	1*	2	3	4	5	6	7	8	9	10	11	12	13	14	15	16
Dim. "L", 3.25" spacing	3.25	4.50	6.50	9.75	13.00	16.25	19.50	22.75	26.00	29.25	32.50	35.75	39.00	42.25	45.50	48.75	52.00
est. weight in lb.- alum	4	5	8	11	14	17	21	24	27	30	34	37	41	44	47	51	55
est. weight in lb.- iron	9	12	17	26	34	43	51	60	68	77	85	94	102	-	-	-	-
Dim. "L", 5.00" spacing	-	-	8.25	13.25	18.25	23.25	28.25	33.25	38.25	43.25	48.25	53.25	58.25	63.25	68.25	-	-
est. weight in lb.- alum	-	-	9	15	20	25	30	35	41	46	50	55	60	65	71	-	-
est. weight in lb.- iron	-	-	22	36	49	62	76	89	102	-	-	-	-	-	-	-	-

* DIMENSIONS FOR 1 STATION WITH RELIEF CAVITY & GAUGE PORT
NO GAUGE PORT SUPPLIED WITH SINGLE STATION MANIFOLD

SHADED AREA AVAILABLE ON SPECIAL ORDER ONLY

PART NUMBER SYSTEM

Aluminum D05 with 3.25" spacing and SAE porting example: **BA05GPS**SDUAAAA**



WE RESERVE THE RIGHT TO DISCONTINUE MODELS, OR CHANGE SPECIFICATIONS WITHOUT NOTICE OR INCURRING OBLIGATION

Lynch Products Can Be Modified to Suit Your Application

Phone: 1 (888) 626-4365 or +1 (905) 363-2400 Fax: 1 (800) 263-5807 www.lynch.ca sales@lynch.ca