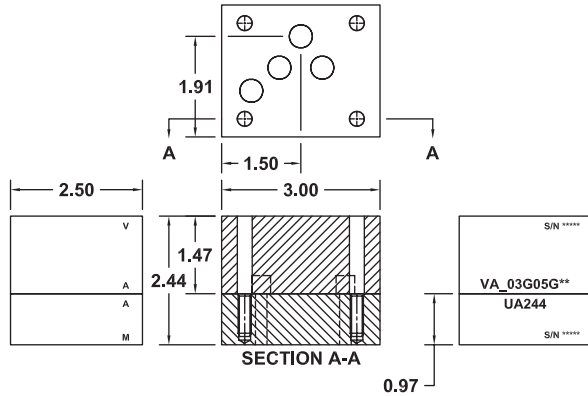
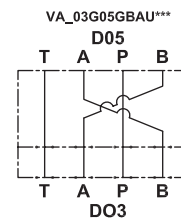
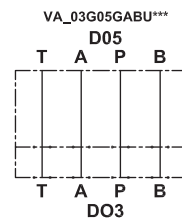
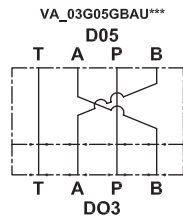
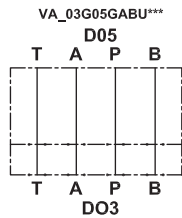
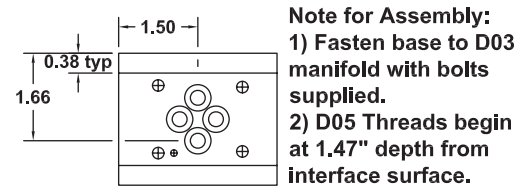
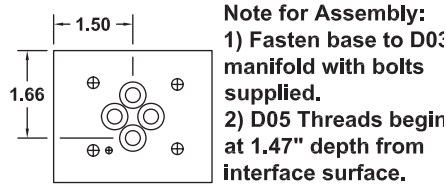
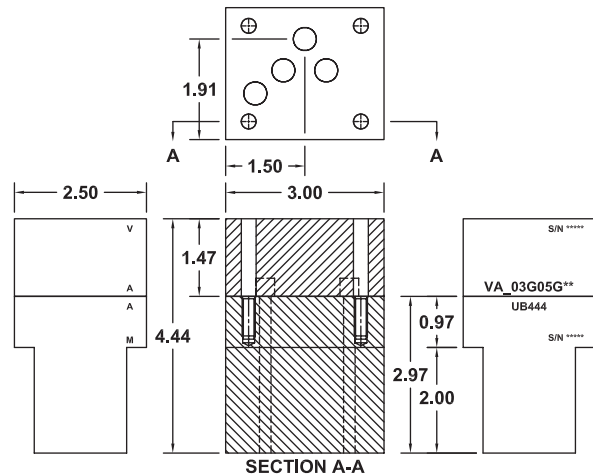


D03 to D05 Step-Up Valve Adapters

VA_03G05G**UA244
STYLE A



VA_03G05G**UB444
STYLE B



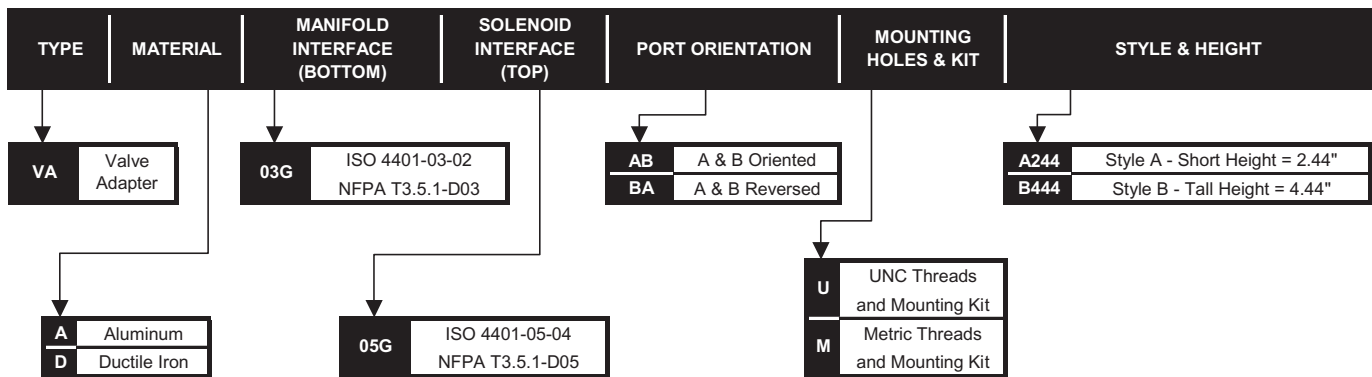
UNC mounting kit includes:
4 - 10-24 x 1.50" SHCS
8 - 012 O-ring viton
2 - Split Pin

Metric mounting kit includes:
4 - M5 x .8 x 35mm SHCS
8 - 012 O-ring viton
2 - Split Pin

UNC mounting kit includes:
4 - 10-24 x 3.50" SHCS
8 - 012 O-ring viton
2 - Split Pin

Metric mounting kit includes:
4 - M5 x .8 x 90 mm SHCS
8 - 012 O-ring viton
2 - Split Pin

PART NUMBER SYSTEM



WE RESERVE THE RIGHT TO DISCONTINUE MODELS, OR CHANGE SPECIFICATIONS WITHOUT NOTICE OR INCURRING OBLIGATION

Lynch Products Can Be Modified to Suit Your Application

Phone: 1 (888) 626-4365 or +1 (905) 363-2400 Fax: 1 (800) 263-5807 www.lynch.ca sales@lynch.ca