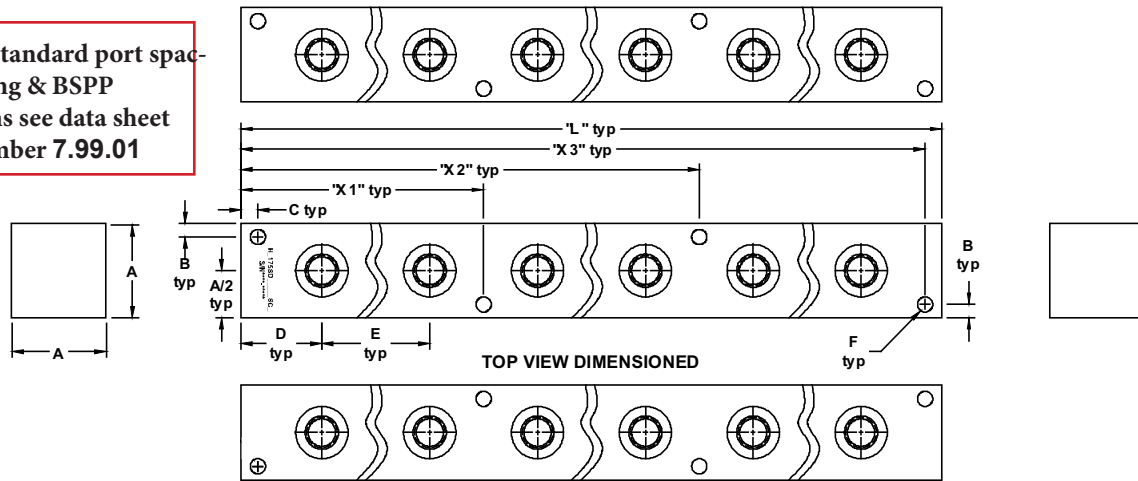


## Junctions - Layout & Part Number System

For non-standard port spacing & BSPP options see data sheet number 7.99.01



To order a standard product, select one CODE from each Column. Port sizes are linked to material size and must be selected from the same row for standard product.  
**STANDARD EXAMPLE** Ductile Junction with SAE 16 Ports Out Top & Two Opposite Sides: JD300XX270\*\*SHU

To special order a non-standard port code, select any port code above the stock material size row.

**NON-STANDARD EXAMPLE** Ductile Junction with SAE 6 Ports Out Top & One Side: JD175XX090\*\*SCU

TYPE	MATERIAL	MATERIAL SIZE		END PORT CODE		PORT ORIENTATION		NO. of STATIONS	SIDE PORT CODE		MT'G																		
		CODE	SIZE	CODE	TYPE	CODE	STYLE		CODE	TYPE																			
J JUNCTION	Standard Options	A	Aluminum	100	1.00"	XX	NONE	090	Top & One Side	NA	1/8" NPTF	U STD TOP & SIDE MTG HOLES																	
	F	Steel	1.00"																										
	Non-Standard Options	D	Ductile	150	1.50"								180°	Two Opposite Sides	SB	SAE 4													
	B	Brass	x 1.50"																										
	6	316 Stainless Steel	175	1.75"	180°												Two Opposite Sides	SB	SAE 4										
	3	303 Stainless Steel		x 1.75"																									
	Available on Special Order Only		175	1.75"																270°	Top & Two Opposite Sides	SC	SAE 6						
				x 1.75"																									
	200	2.00"	270°	Top & Two Opposite Sides																				SD	SAE 8				
		x 2.00"																											
	250	2.50"																								270°	Top & Two Opposite Sides	SF	SAE 12
		x 2.50"																											
300	3.00"	01 to 10				01 to 09	SI	SAE 20																					
	x 3.00"																												
Non-Standard Options	350								3.50"	01 to 07	SJ	SAE 24																	
6									316 Stainless Steel				x 3.50"																
3	303 Stainless Steel				400				4.00"				01 to 07	SJ	SAE 24														
Available on Special Order Only									x 4.00"																				
A	Aluminum				300				3.00"							01 to 07	SJ	SAE 24											
D	Ductile								x 3.00"																				
6	316 Stainless Steel		350	3.50"	01 to 07				SJ										SAE 24										
3	303 Stainless Steel			x 3.50"																									
Available on Special Order Only			400	4.00"																01 to 07	SJ	SAE 24							
				x 4.00"																									
A	Aluminum	300	3.00"	01 to 07		SJ	SAE 24																						
D	Ductile		x 3.00"																										
6	316 Stainless Steel	350	3.50"					01 to 07		SJ	SAE 24																		
3	303 Stainless Steel		x 3.50"																										
Available on Special Order Only		400	4.00"									01 to 07	SJ	SAE 24															
			x 4.00"																										

WE RESERVE THE RIGHT TO DISCONTINUE MODELS, OR CHANGE SPECIFICATIONS WITHOUT NOTICE OR INCURRING OBLIGATION

Lynch Products Can Be Modified to Suit Your Application

Phone: 1 (888) 626-4365 or +1 (905) 363-2400 Fax: 1 (800) 263-5807 www.lynch.ca sales@lynch.ca