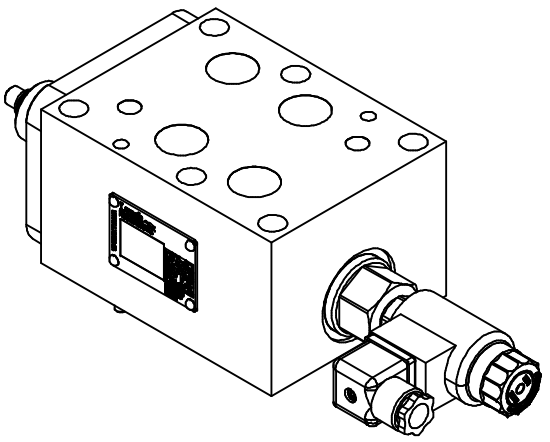
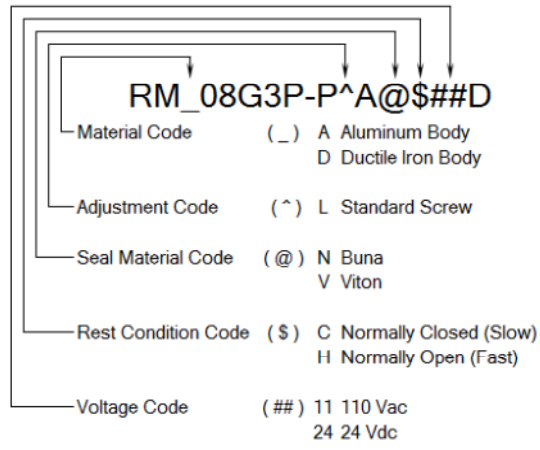


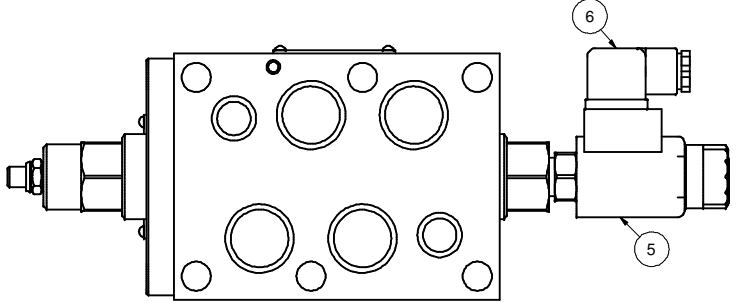
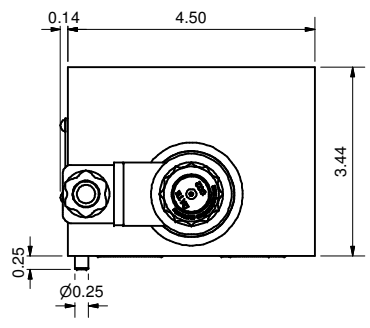
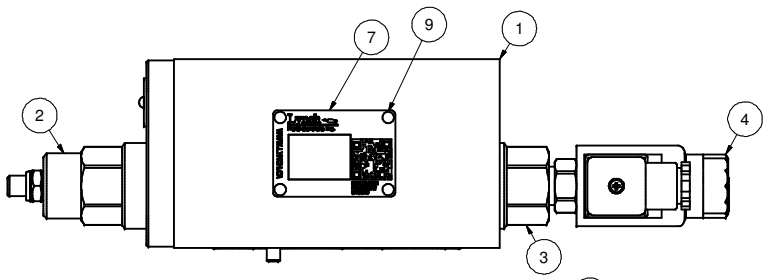
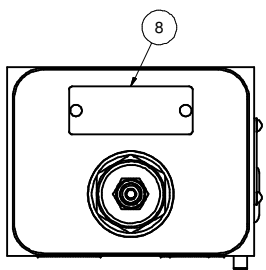
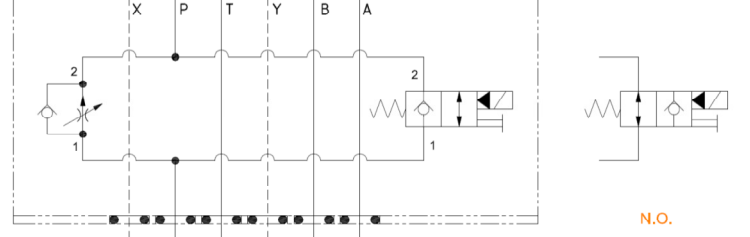
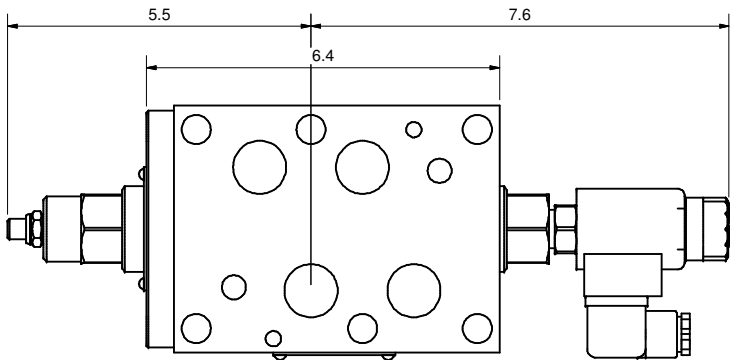


DWG NO	RM_08G3P-P^A@\$##D	REV	-
MODEL CODE	RM_08G3P-P^A@\$##D		
PROPRIETARY NOTICE THIS DRAWING DESCRIBES A PROPRIETARY PRODUCT OF LYNCH FLUID CONTROLS INC. WHICH MAY NOT BE REPRODUCED IN WHOLE OR IN PART NOR GIVEN TO A THIRD PARTY WITHOUT WRITTEN PERMISSION FROM LYNCH FLUID CONTROLS INC.		TITLE 2 Speed D08 Sandwich Module M/I P Pilot Operated Poppet PC Flow Control	
DATA UNIT: INCH	3RD ANGLE PROJECTION		

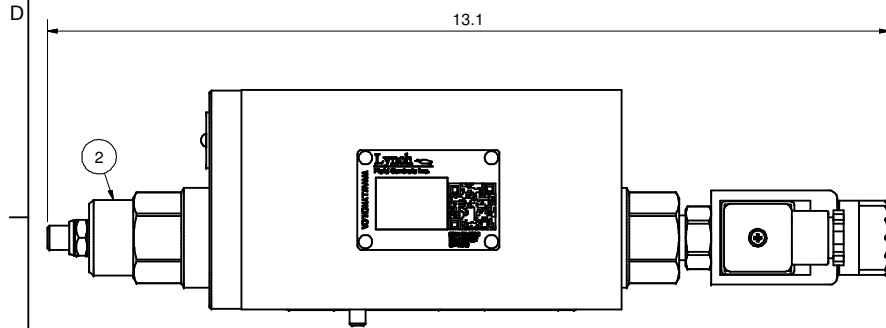
MODEL CODE BREAKDOWN



ITEM QTY		DESCRIPTION
1	1	Manifold Body
2	1	[Flow Control] Fully adjustable pressure compensated flow control valve with reverse flow check
3	1	[Main Stage] 2-way, poppet directional valve with integral T-8A control cavity - control 1-2
4	1	[Solenoid] 2-way, solenoid-operated directional spool valve - pilot capacity
5	1	Coil
6	1	Connector
7	1	Nameplate
8	1	Nameplate
9	6	Screws

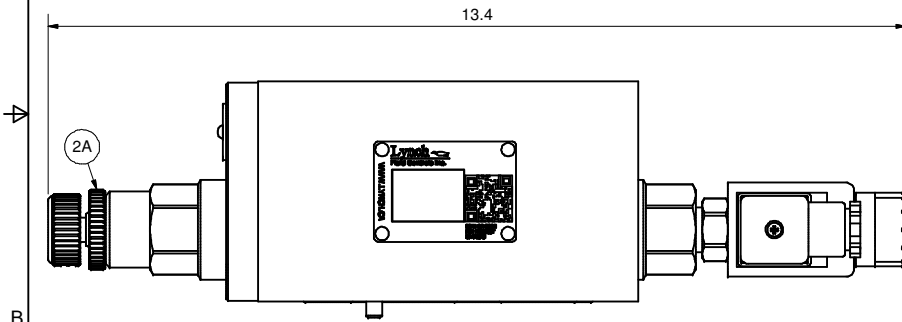


L - Standard Screw



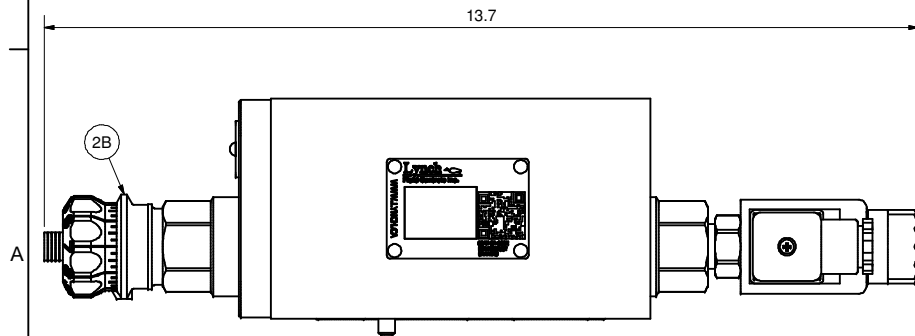
K - Hand-Knob

Non-Standard Option: Order Standard L control w/ 991 211 Kit



H - Calibrated Hand-Knob

Non-Standard Option



DWG NO RM_08G3P-P^A@\$\$#D REV -

MODEL CODE RM_08G3P-P^A@\$\$#D

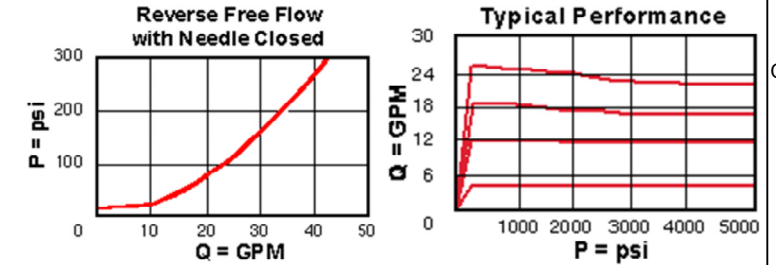
PROPRIETARY NOTICE
THIS DRAWING DESCRIBES A PROPRIETARY PRODUCT OF LYNCH FLUID CONTROLS INC. WHICH MAY NOT BE REPRODUCED IN WHOLE OR IN PART NOR GIVEN TO A THIRD PARTY WITHOUT WRITTEN PERMISSION FROM LYNCH FLUID CONTROLS INC.

TITLE
Technical Data & Non-Standard Options

DATA UNIT: INCH 3RD ANGLE PROJECTION

Bill of Material		
ITEM	QTY	DESCRIPTION
2	1	[Flow Control] Fully adjustable pressure compensated flow control valve with reverse flow check
2A	1	[Flow Control] Fully adjustable pressure compensated flow control valve with reverse flow check [Hand-Knob]
2B	1	[Flow Control] Fully adjustable pressure compensated flow control valve with reverse flow check [Calibrated Hand-Knob]

Flow Control



Main Stage

