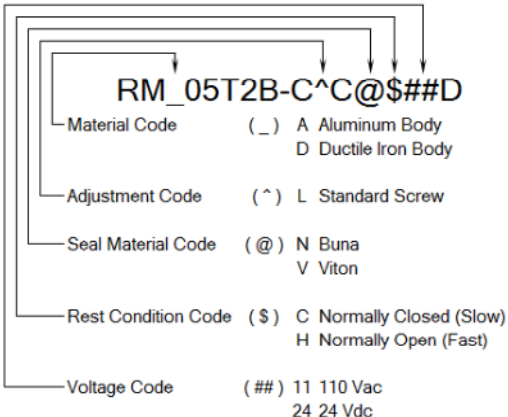
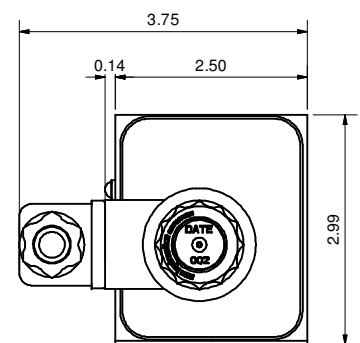
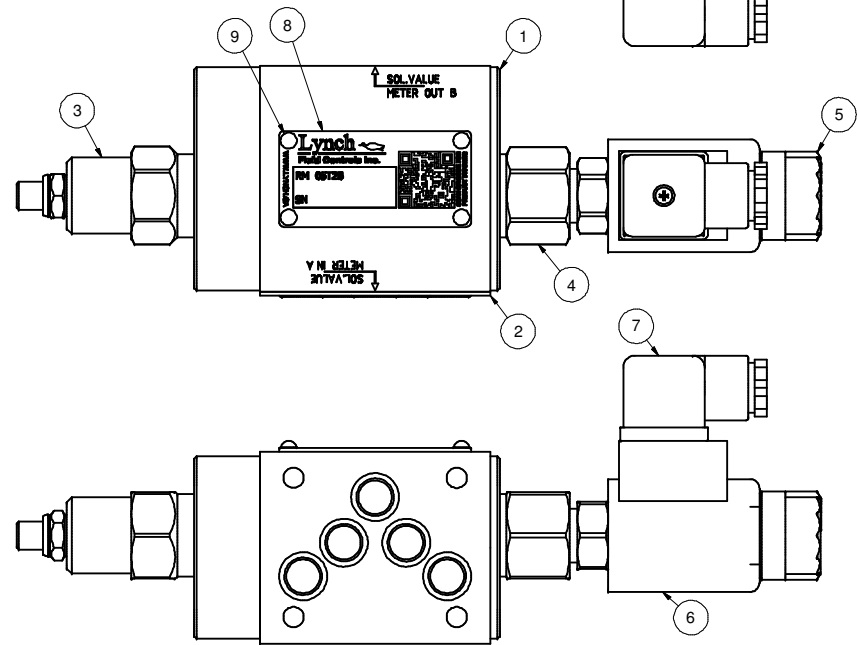
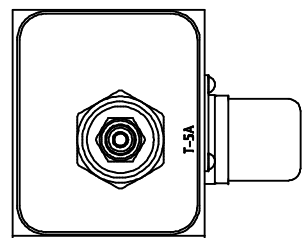
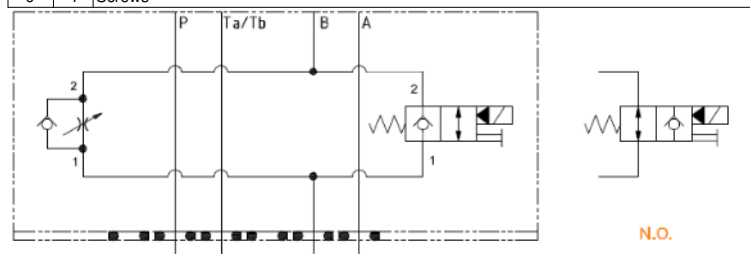
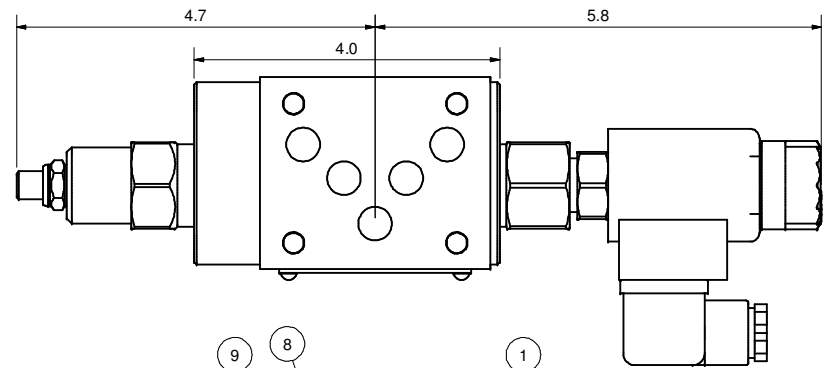


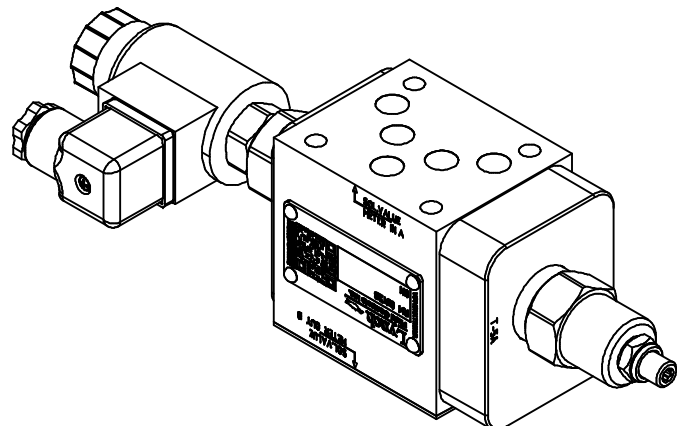
**MODEL CODE BREAKDOWN**



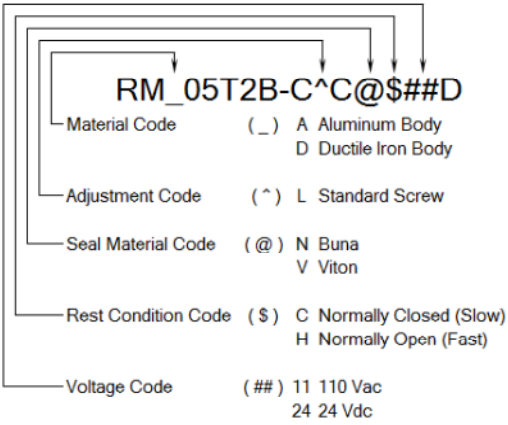
DWG NO	RM_05T2B-C^C@\$##D	REV	-
MODEL CODE	RM_05T2B-C^C@\$##D		
PROPRIETARY NOTICE THIS DRAWING DESCRIBES A PROPRIETARY PRODUCT OF LYNCH FLUID CONTROLS INC. WHICH MAY NOT BE REPRODUCED IN WHOLE OR IN PART NOR GIVEN TO A THIRD PARTY WITHOUT WRITTEN PERMISSION FROM LYNCH FLUID CONTROLS INC.		TITLE 2 Speed D05 Sandwich Module M/O B Pilot Operated Poppet Needle w/ FF Check	
DATA UNIT: INCH	3RD ANGLE PROJECTION		

ITEM QTY		DESCRIPTION
1	1	Manifold Body
2	1	Seal Plate
3	1	[Flow Control] Fully adjustable needle valve with reverse flow check
4	1	[Main Stage] 2-way, poppet directional valve with integral T-8A control cavity - control 1-2
5	1	[Solenoid] 2-way, solenoid-operated directional spool valve - pilot capacity
6	1	Coil
7	1	Connector
8	1	Nameplate
9	4	Screws



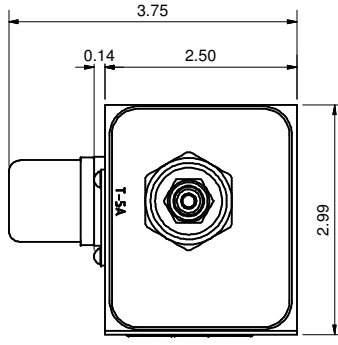
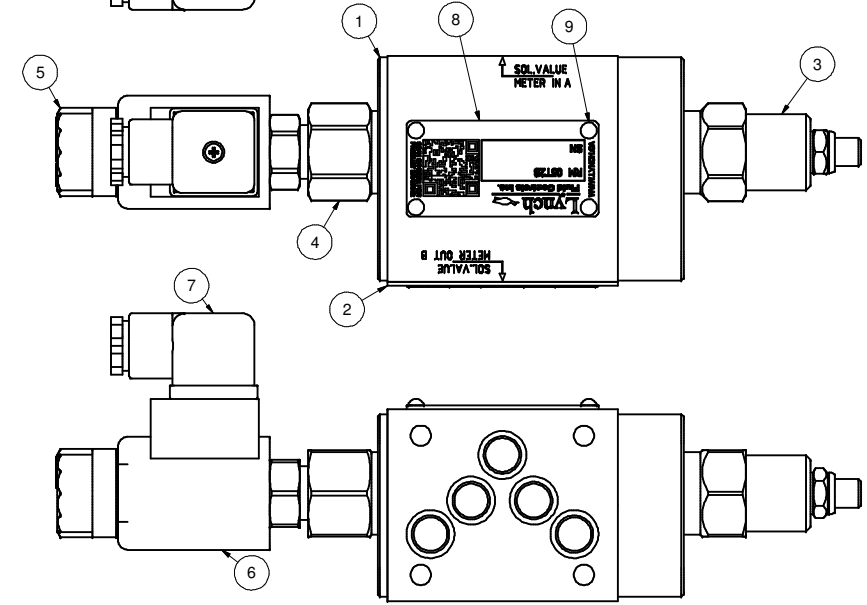
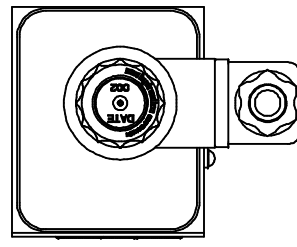
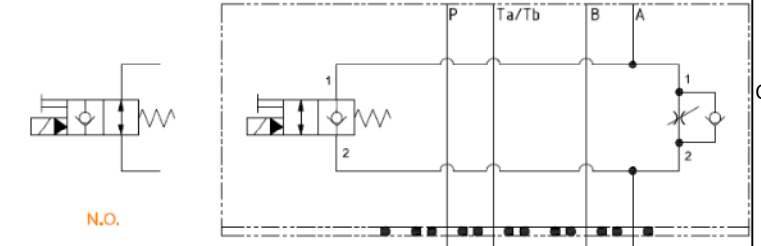
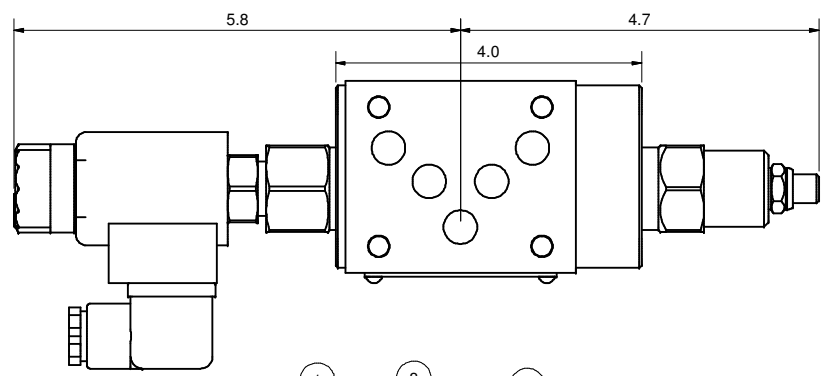


### MODEL CODE BREAKDOWN



DWG NO	RM_05T2B-C^C@\$##D	REV	-
MODEL CODE	RM_05T2B-C^C@\$##D		
PROPRIETARY NOTICE THIS DRAWING DESCRIBES A PROPRIETARY PRODUCT OF LYNCH FLUID CONTROLS INC. WHICH MAY NOT BE REPRODUCED IN WHOLE OR IN PART NOR GIVEN TO A THIRD PARTY WITHOUT WRITTEN PERMISSION FROM LYNCH FLUID CONTROLS INC.		TITLE 2 Speed D05 Sandwich Module M/I A Pilot Operated Poppet Needle w/ FF Check	
DATA UNIT: INCH	3RD ANGLE PROJECTION		

ITEM	QTY	DESCRIPTION
1	1	Manifold Body
2	1	Seal Plate
3	1	[Flow Control] Fully adjustable needle valve with reverse flow check
4	1	[Main Stage] 2-way, poppet directional valve with integral T-8A control cavity - control 1-2
5	1	[Solenoid] 2-way, solenoid-operated directional spool valve - pilot capacity
6	1	Coil
7	1	Connector
8	1	Nameplate
9	4	Screws



DWG NO RM\_05T2B-C^C@\$##D

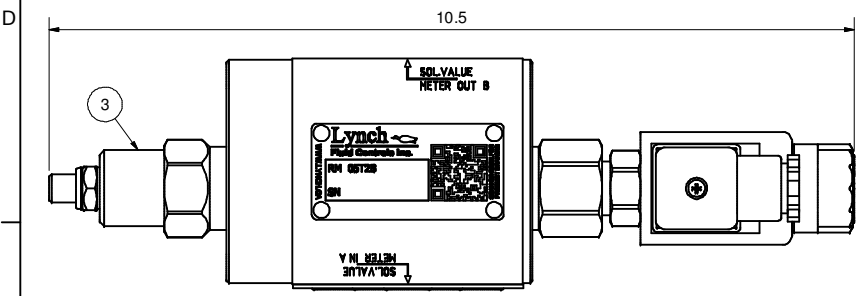
DWG NO RM\_05T2B-C^C@\$\$#D



DWG NO	RM_05T2B-C^C@\$\$#D	REV	-
MODEL CODE	RM_05T2B-C^C@\$\$#D		
<b>PROPRIETARY NOTICE</b> THIS DRAWING DESCRIBES A PROPRIETARY PRODUCT OF LYNCH FLUID CONTROLS INC. WHICH MAY NOT BE REPRODUCED IN WHOLE OR IN PART NOR GIVEN TO A THIRD PARTY WITHOUT WRITTEN PERMISSION FROM LYNCH FLUID CONTROLS INC.		TITLE <b>Technical Data &amp; Non-Standard Options</b>	
DATA UNIT: INCH	3RD ANGLE PROJECTION		

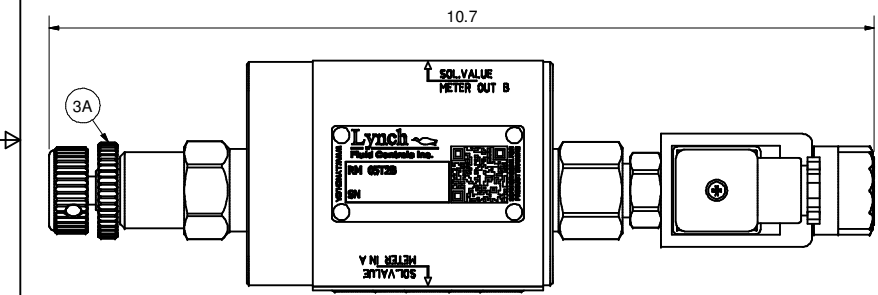
Bill of Material	
ITEM	DESCRIPTION
3	[Flow Control] Fully adjustable needle valve with reverse flow check
3A	[Flow Control] Fully adjustable needle valve with reverse flow check [Hand-Knob]
3B	[Flow Control] Fully adjustable needle valve with reverse flow check [Calibrated Hand-Knob]

**L - Standard Screw**



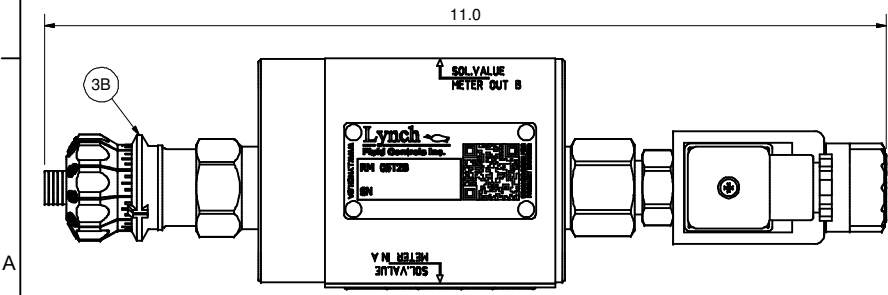
**K - Hand-Knob**

Non-Standard Option: Order Standard L control w/ 991 211 Kit

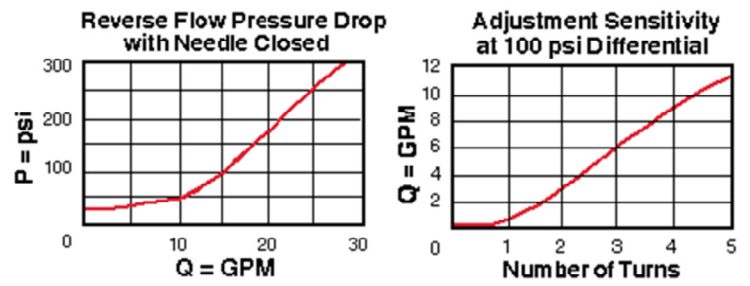


**H - Calibrated Hand-Knob**

Non-Standard Option



**Flow Control**



**Main Stage**

