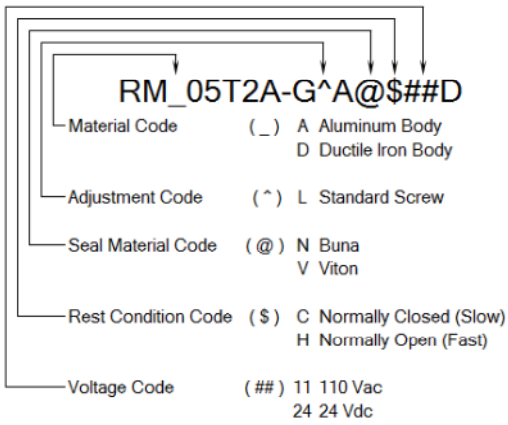


**MODEL CODE BREAKDOWN**



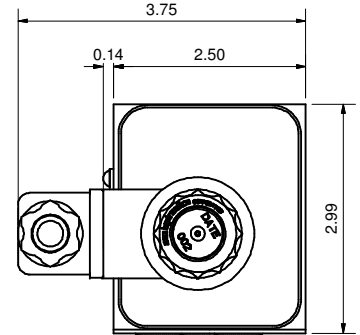
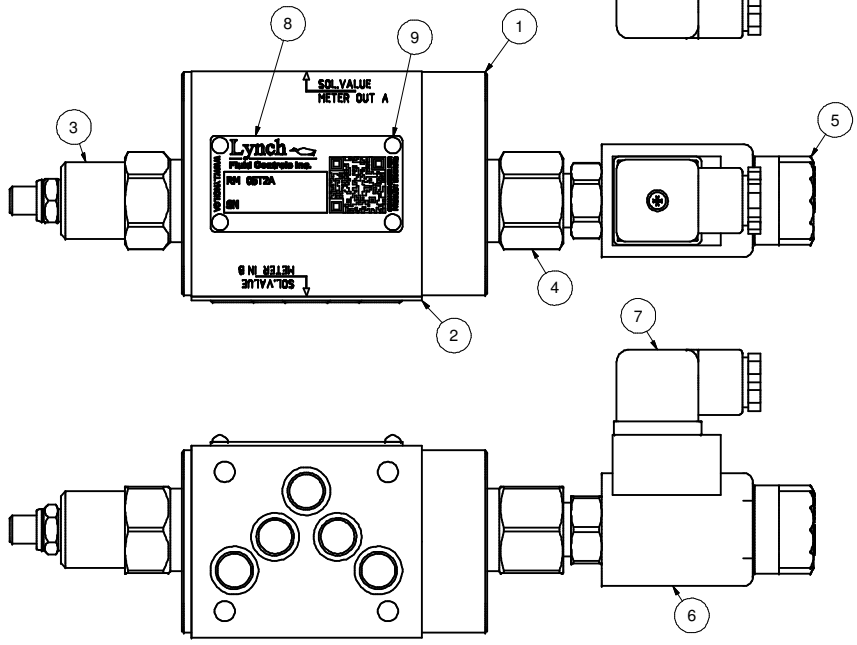
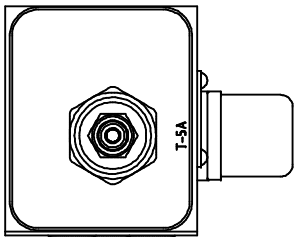
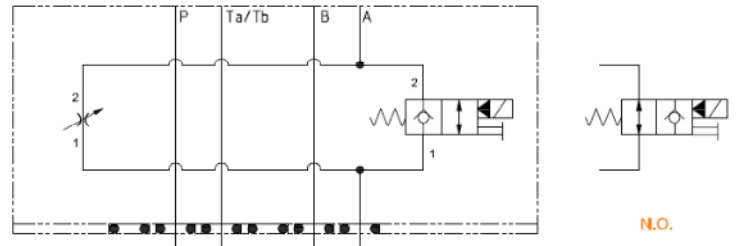
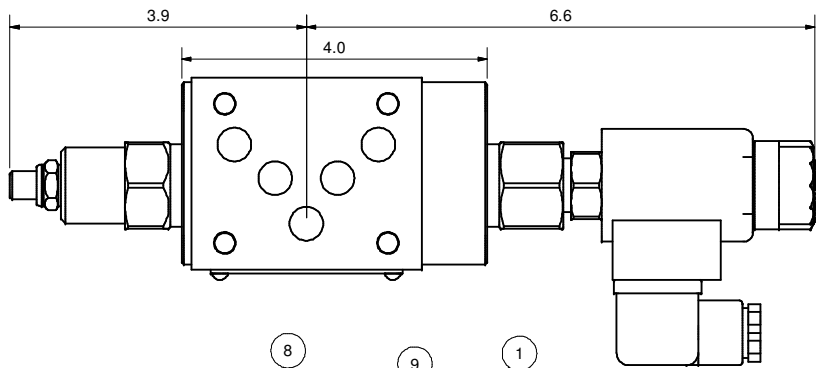
**Lynch**  
Fluid Controls Inc.

**PROPRIETARY NOTICE**  
THIS DRAWING DESCRIBES A PROPRIETARY PRODUCT OF LYNCH FLUID CONTROLS INC. WHICH MAY NOT BE REPRODUCED IN WHOLE OR IN PART NOR GIVEN TO A THIRD PARTY WITHOUT WRITTEN PERMISSION FROM LYNCH FLUID CONTROLS INC.

DATA UNIT: INCH 3RD ANGLE PROJECTION

DWG NO	RM_05T2A-G^A@\$\$#D	REV	-
MODEL CODE	RM_05T2A-G^A@\$\$#D		
TITLE	2 Speed D05 Sandwich Module M/O A Pilot Operated Poppet Needle		

ITEM QTY		DESCRIPTION
1	1	Manifold Body
2	1	Seal Plate
3	1	[Flow Control] Fully adjustable needle valve
4	1	[Main Stage] 2-way, poppet directional valve with integral T-8A control cavity - control 1-2
5	1	[Solenoid] 2-way, solenoid-operated directional spool valve - pilot capacity
6	1	Coil
7	1	Connector
8	1	Nameplate
9	4	Screws



**MODEL CODE BREAKDOWN**

**RM\_05T2A-G^A@\$\$#D**

- Material Code ( ) A Aluminum Body  
D Ductile Iron Body
- Adjustment Code ( ^ ) L Standard Screw
- Seal Material Code ( @ ) N Buna  
V Viton
- Rest Condition Code ( \$ ) C Normally Closed (Slow)  
H Normally Open (Fast)
- Voltage Code ( ## ) 11 110 Vac  
24 24 Vdc

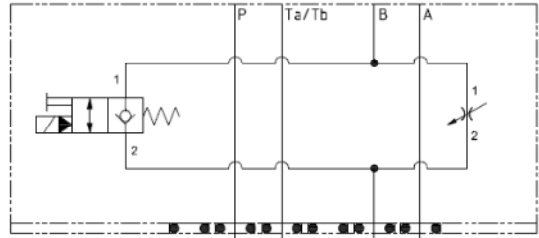


**PROPRIETARY NOTICE**  
THIS DRAWING DESCRIBES A PROPRIETARY PRODUCT OF LYNCH FLUID CONTROLS INC. WHICH MAY NOT BE REPRODUCED IN WHOLE OR IN PART NOR GIVEN TO A THIRD PARTY WITHOUT WRITTEN PERMISSION FROM LYNCH FLUID CONTROLS INC.

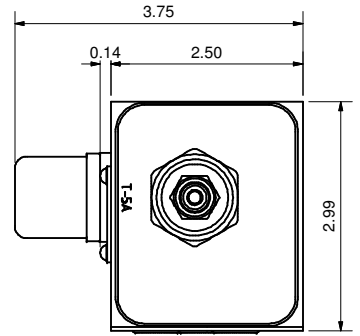
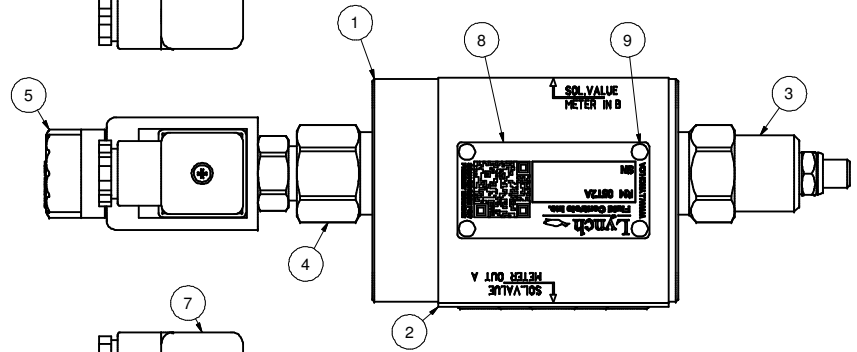
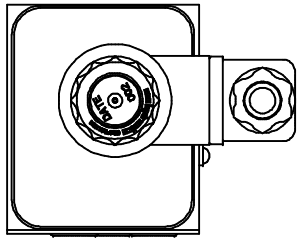
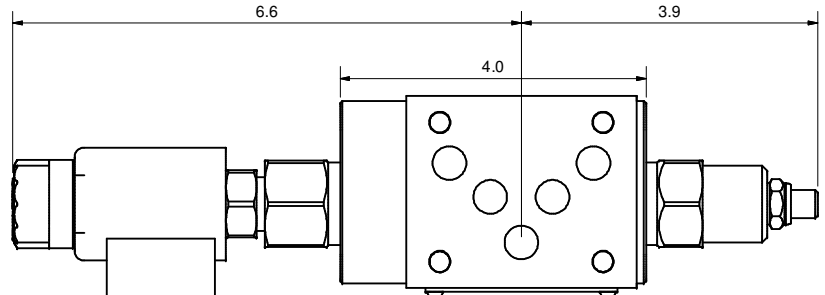
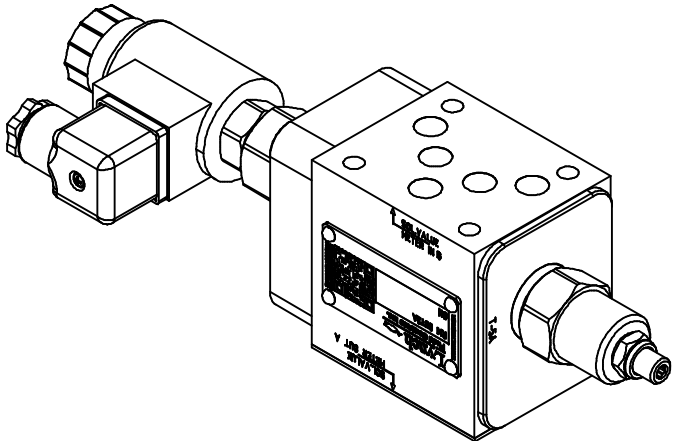
DATA UNIT: INCH  
3RD ANGLE PROJECTION

DWG NO	RM_05T2A-G^A@\$\$#D	REV	-
MODEL CODE	RM_05T2A-G^A@\$\$#D		
TITLE	2 Speed D05 Sandwich Module M/I B Pilot Operated Poppet Needle		

ITEM QTY		DESCRIPTION
1	1	Manifold Body
2	1	Seal Plate
3	1	[Flow Control] Fully adjustable needle valve
4	1	[Main Stage] 2-way, poppet directional valve with integral T-8A control cavity - control 1-2
5	1	[Solenoid] 2-way, solenoid-operated directional spool valve - pilot capacity
6	1	Coil
7	1	Connector
8	1	Nameplate
9	4	Screws



N.O.



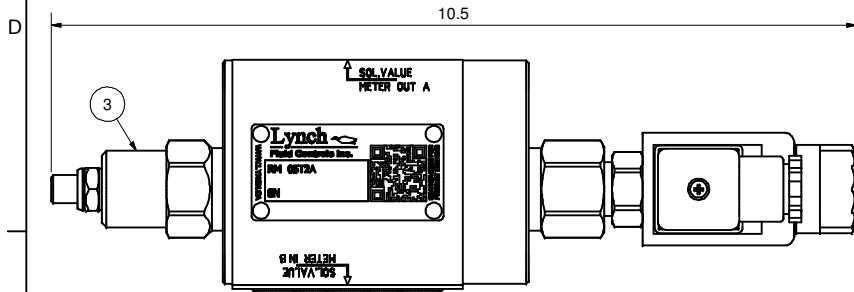
DWG NO RM\_05T2A-G^A@\$\$#D

C

B

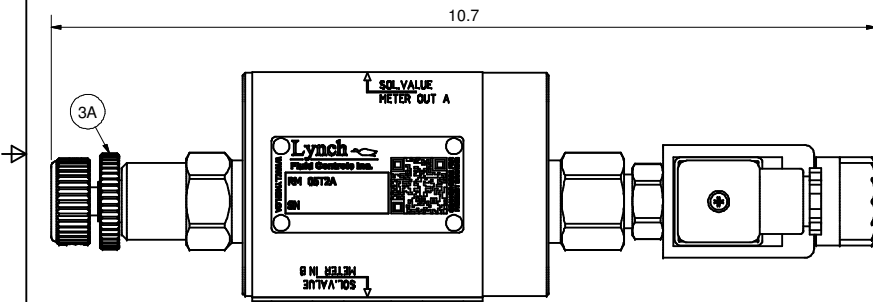
A

### L - Standard Screw



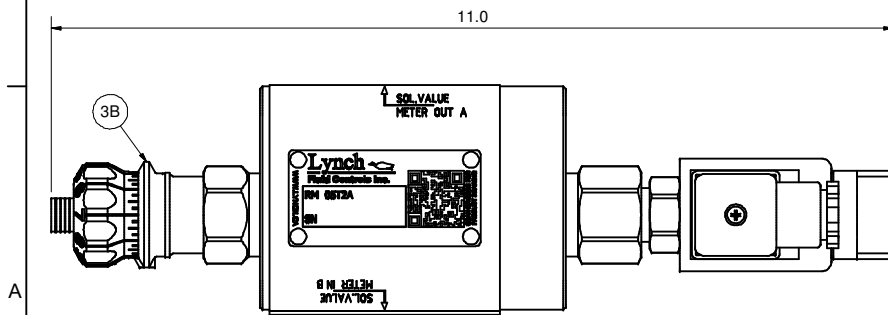
### K - Hand-Knob

Non-Standard Option: Order Standard L control w/ 991 211 Kit



### H - Calibrated Hand-Knob

Non-Standard Option

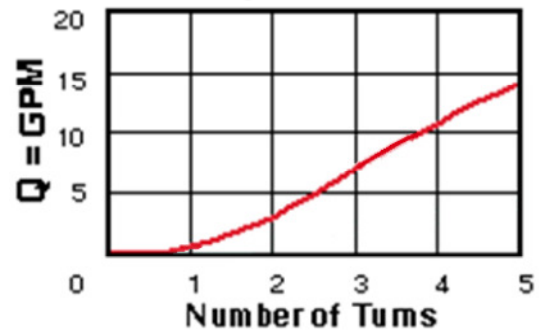


DWG NO	RM_05T2A-G^A@\$\$#D	REV	-
MODEL CODE	RM_05T2A-G^A@\$\$#D		
<b>PROPRIETARY NOTICE</b> THIS DRAWING DESCRIBES A PROPRIETARY PRODUCT OF LYNCH FLUID CONTROLS INC. WHICH MAY NOT BE REPRODUCED IN WHOLE OR IN PART NOR GIVEN TO A THIRD PARTY WITHOUT WRITTEN PERMISSION FROM LYNCH FLUID CONTROLS INC.		<b>TITLE</b> Technical Data & Non-Standard Options	
DATA UNIT: INCH	3RD ANGLE PROJECTION		

ITEM QTY		DESCRIPTION
3	1	[Flow Control] Fully adjustable needle valve
3A	1	[Flow Control] Fully adjustable needle valve [Hand-Knob]
3B	1	[Flow Control] Fully adjustable needle valve [Calibrated Hand-Knob]

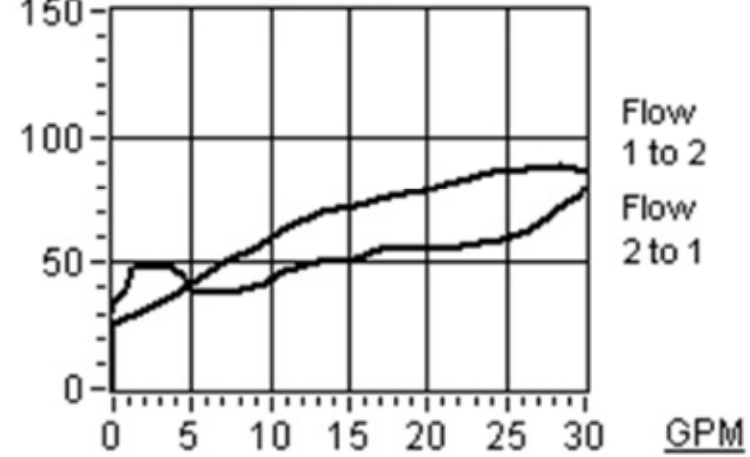
### Flow Control

#### Adjustment Sensitivity at 100 psi Differential



### Main Stage

#### PSI Pressure Differential vs Flow



DWG NO RM\_05T2A-G^A@\$\$#D

C

D

B

A